

Lummel dekbeslag geassembleerd

1 2 3 4 5 6

A

A

B

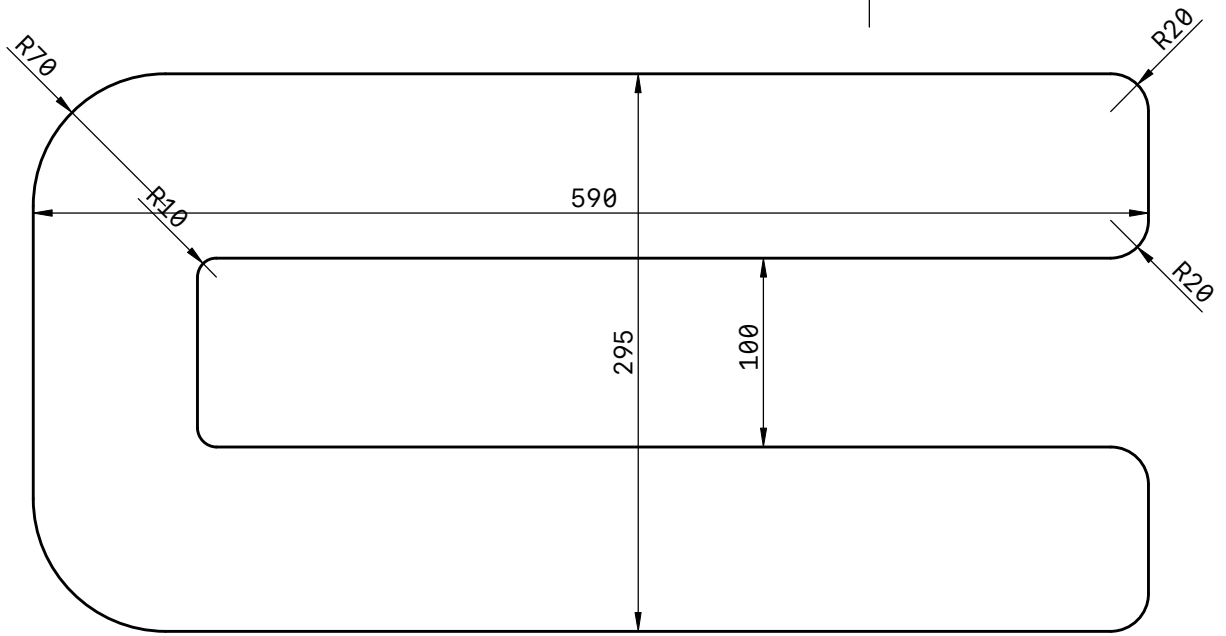
B

C

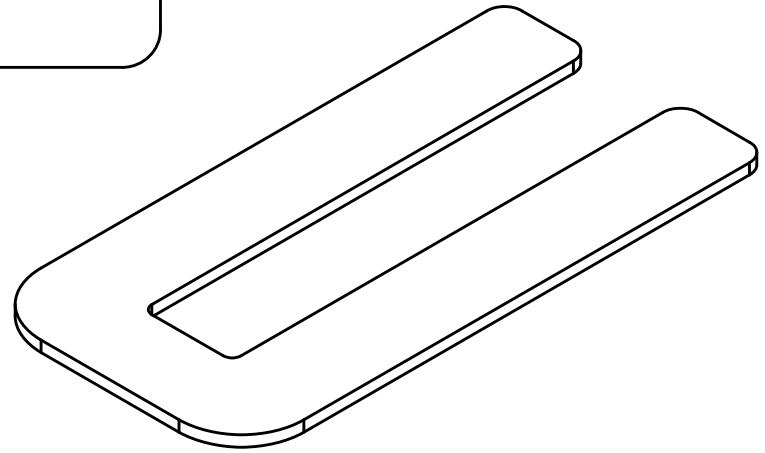
C

D

D

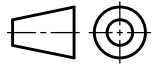


SCALE 1:4

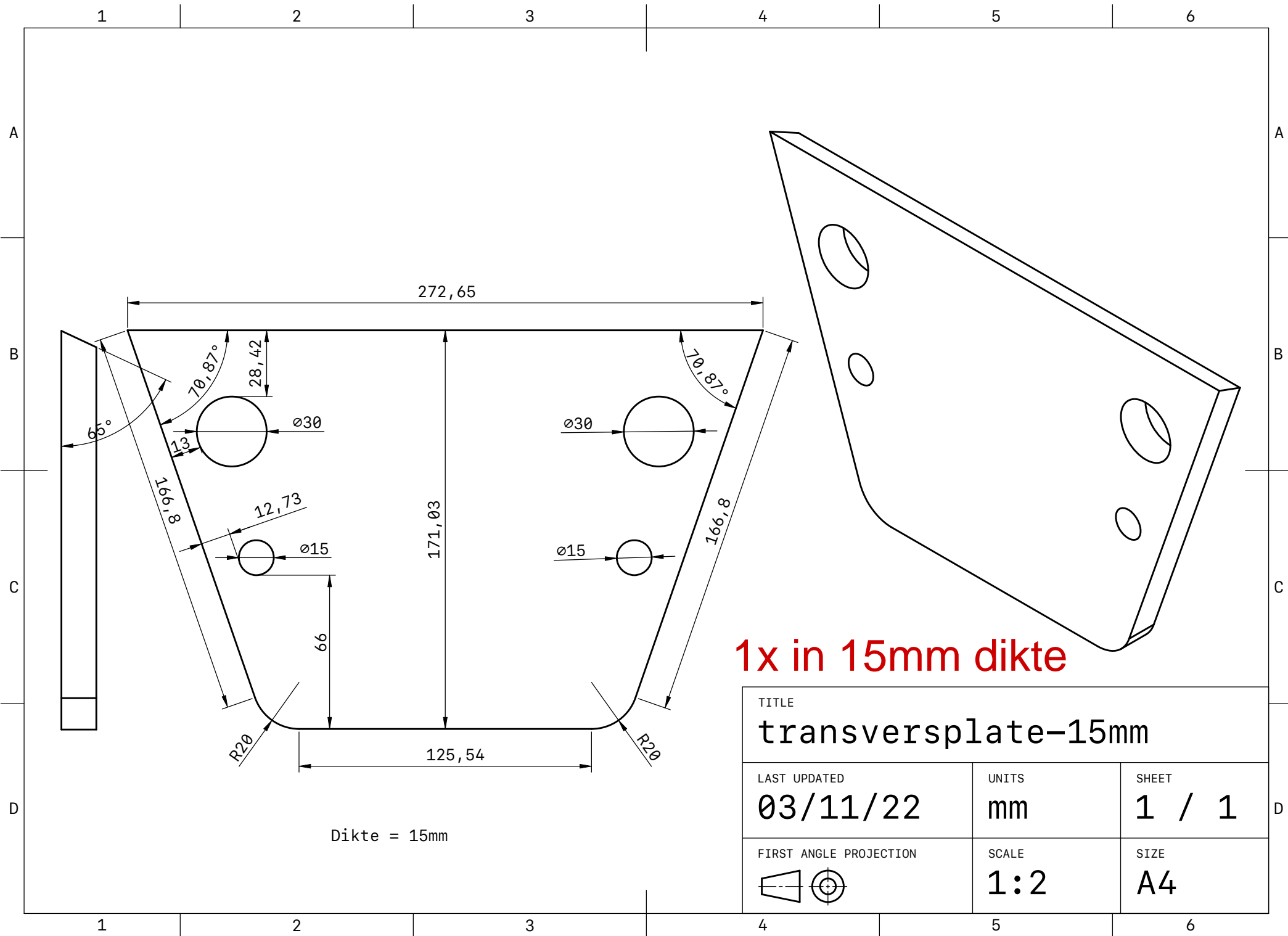


SCALE 1:6

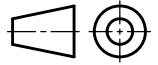
1x in 12mm dikte

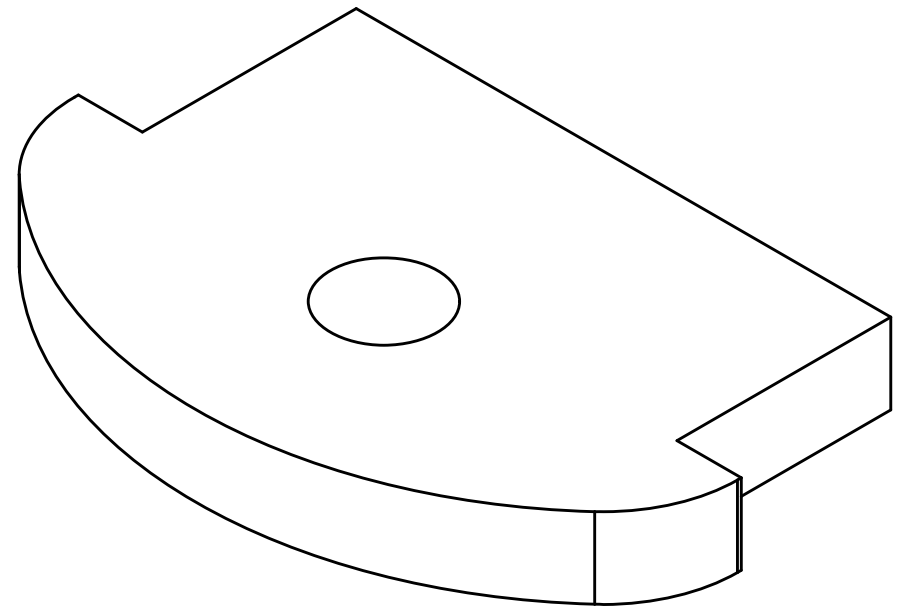
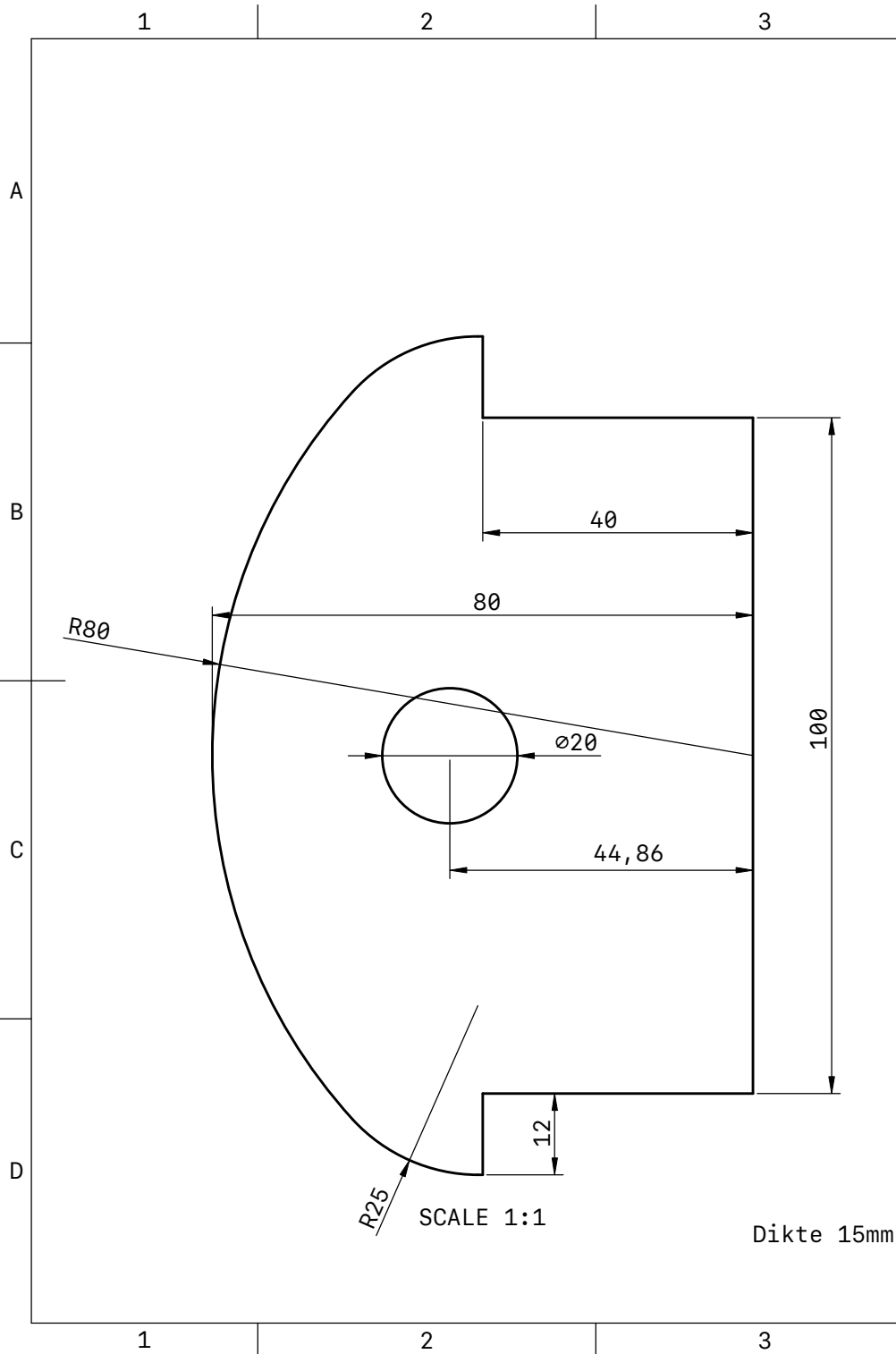
TITLE		
<b>Baseplate</b>		
LAST UPDATED	UNITS	SHEET
<b>03/11/22</b>	<b>mm</b>	<b>1 / 1</b>
FIRST ANGLE PROJECTION	SCALE	SIZE
	<b>1:2</b>	<b>A4</b>

1 2 3 4 5 6




1x in 15mm dikte

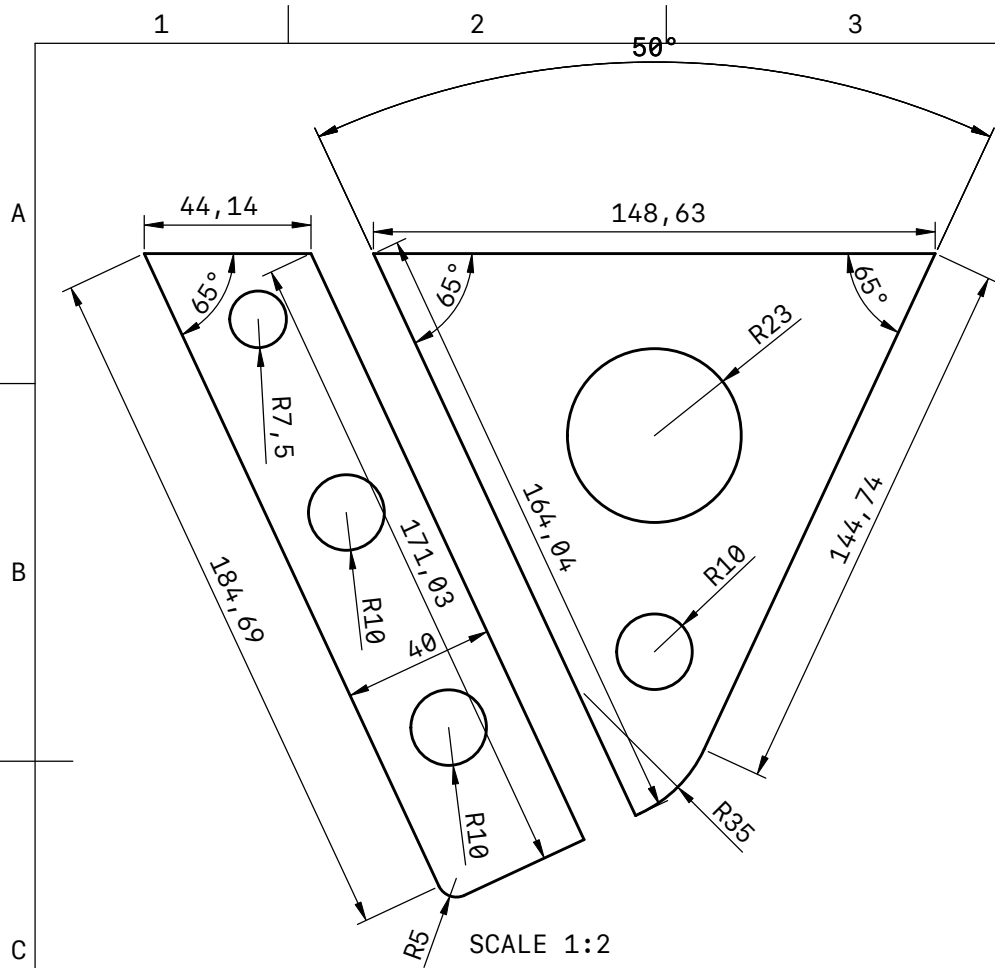
TITLE		
transversplate-15mm		
LAST UPDATED	UNITS	SHEET
03/11/22	mm	1 / 1
FIRST ANGLE PROJECTION	SCALE	SIZE
	1:2	A4



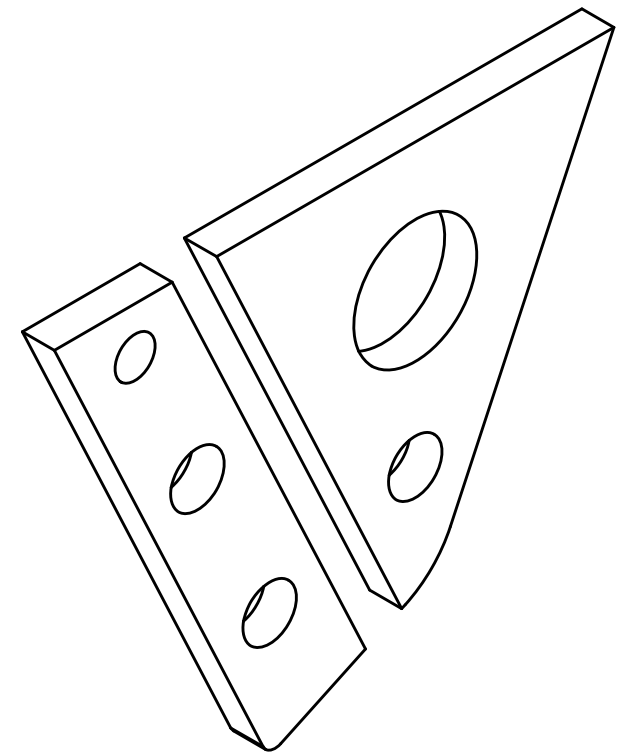
SCALE 1:1

2x in 15mm dikte

TITLE		
gooseneckplate15mm		
LAST UPDATED	UNITS	SHEET
03/11/22	mm	1 / 1
FIRST ANGLE PROJECTION	SCALE	SIZE
	1:2	A4

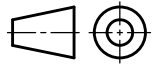


Dikte= 12mm



SCALE 1:2

**2x in 12mm dikte**

TITLE hij		
LAST UPDATED 03/11/22	UNITS mm	SHEET 1 / 1
FIRST ANGLE PROJECTION 	SCALE 1:5	SIZE A4