

1

2

3

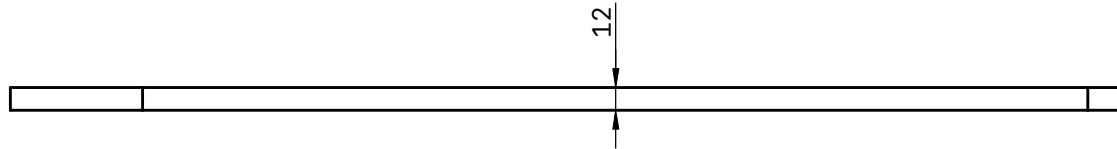
4

5

6

A

A

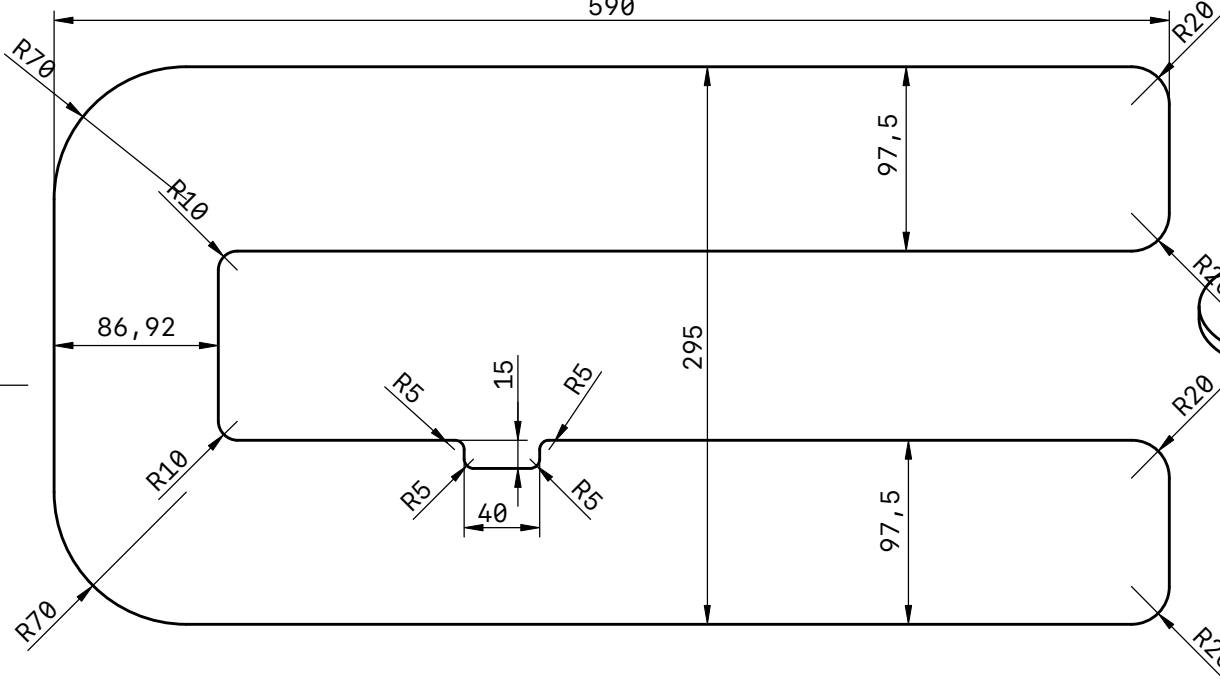


590

12

B

B



295

97,5

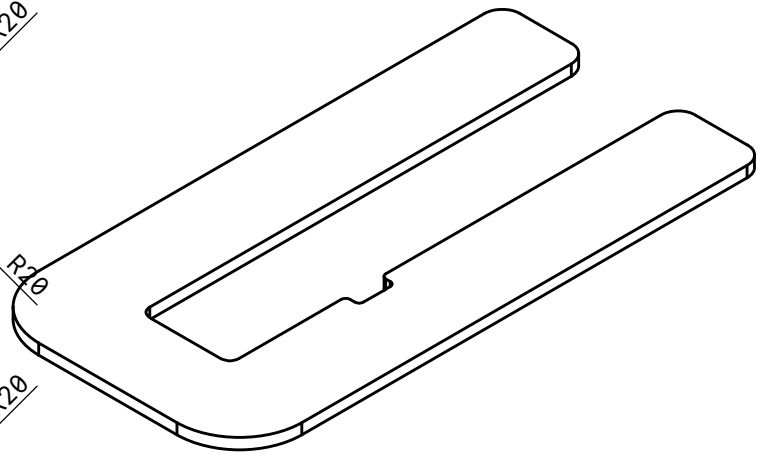
86,92

97,5

15

40

SCALE 1:6



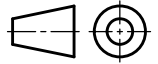
C

C

D

D

Een maal aluminum dik 12mm

TITLE		
<b>Baseplate</b>		
LAST UPDATED	UNITS	SHEET
<b>03/13/22</b>	<b>mm</b>	<b>1 / 1</b>
FIRST ANGLE PROJECTION	SCALE	SIZE
	<b>1:4</b>	<b>A4</b>

1

2

3

4

5

6

1

2

3

4

5

6

A

A

B

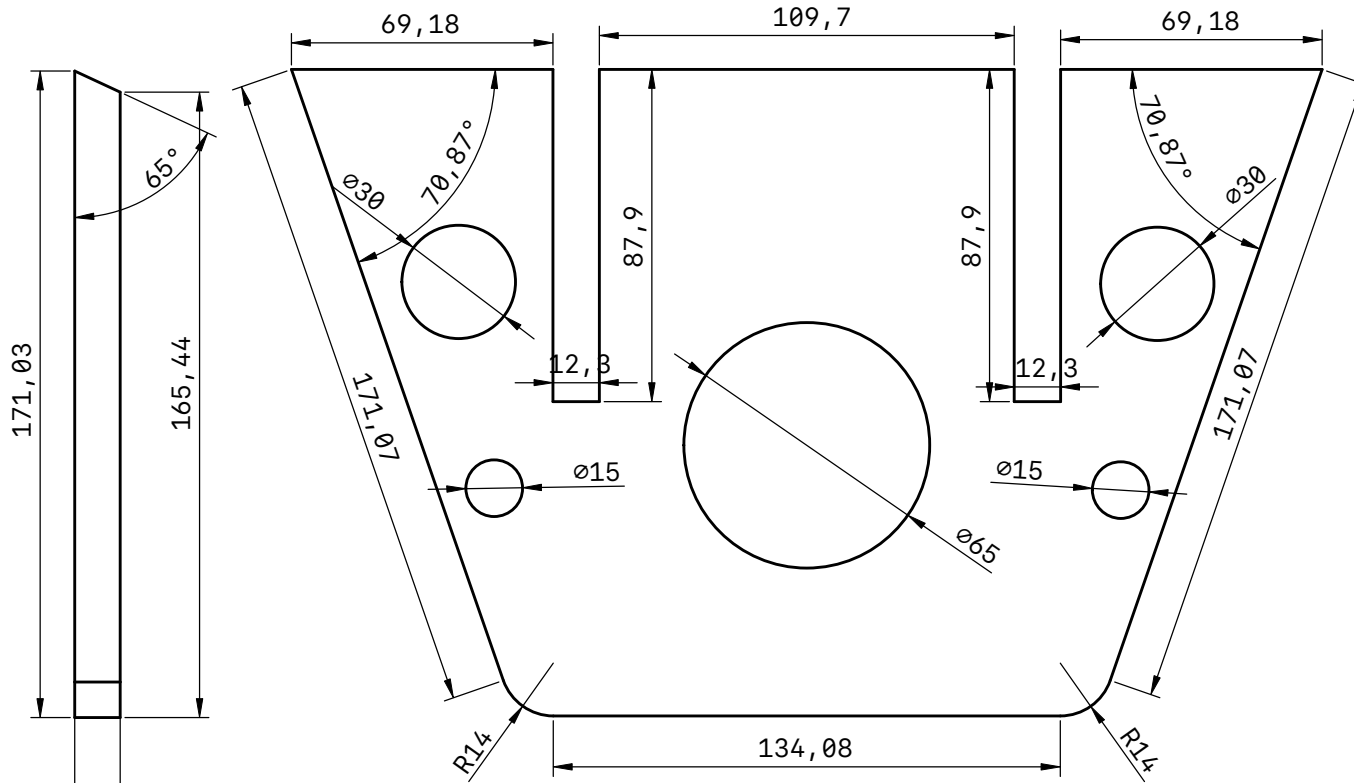
B

C

C


D

D



SCALE 1:3

Een maal aluminum dik 12 mm

TITLE		
<b>Dwarssteun</b>		
LAST UPDATED	UNITS	SHEET
<b>03/13/22</b>	<b>mm</b>	<b>1 / 1</b>
FIRST ANGLE PROJECTION	SCALE	SIZE
	<b>1:2</b>	<b>A4</b>

1

2

3

4

5

6

1

2

3

4

5

6

A

B

C

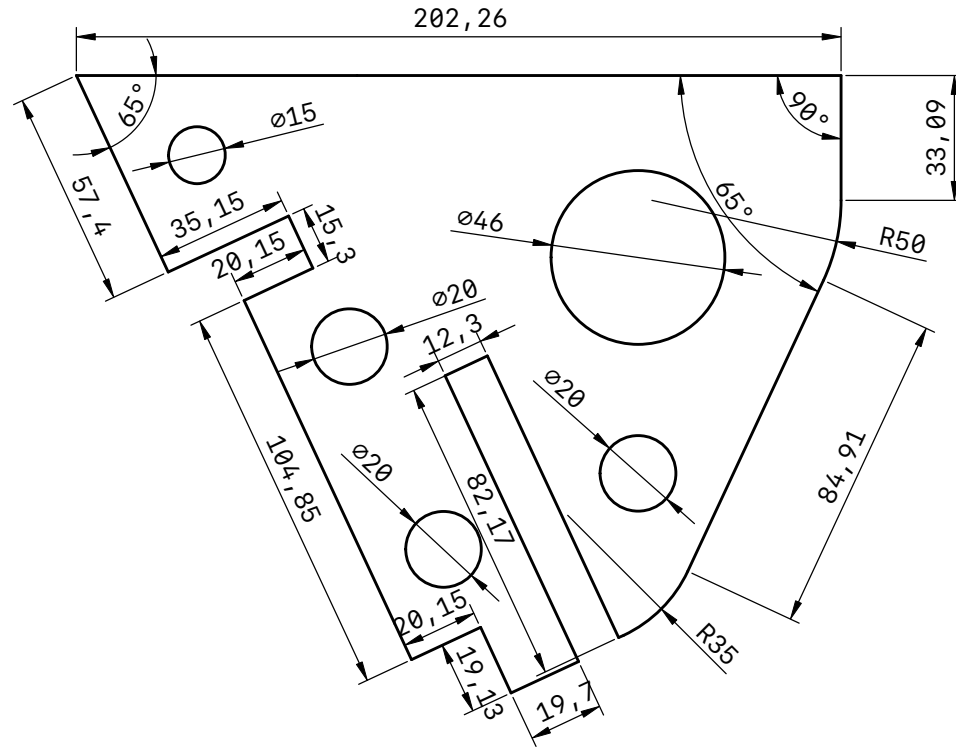
D

A

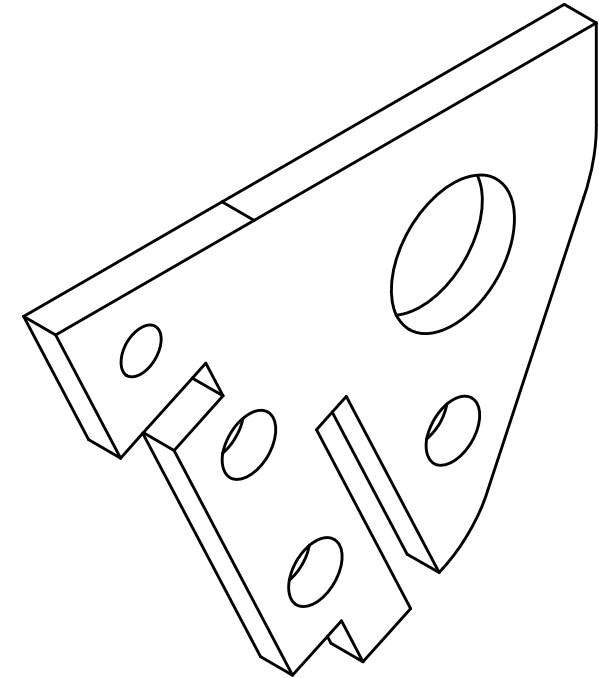
B

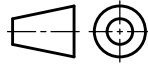
C

D



Twee maal aluminum dik 12mm



TITLE		
<b>Achtersteun SB (1)</b>		
LAST UPDATED	UNITS	SHEET
<b>03/13/22</b>	<b>mm</b>	<b>1 / 1</b>
FIRST ANGLE PROJECTION	SCALE	SIZE
	<b>1:2</b>	<b>A4</b>

1

2

3

4

5

6

1 2 3 4 5 6

A

B

C

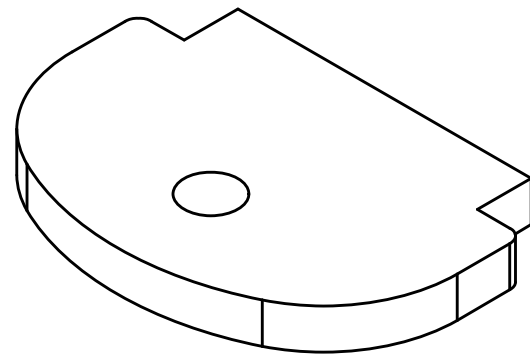
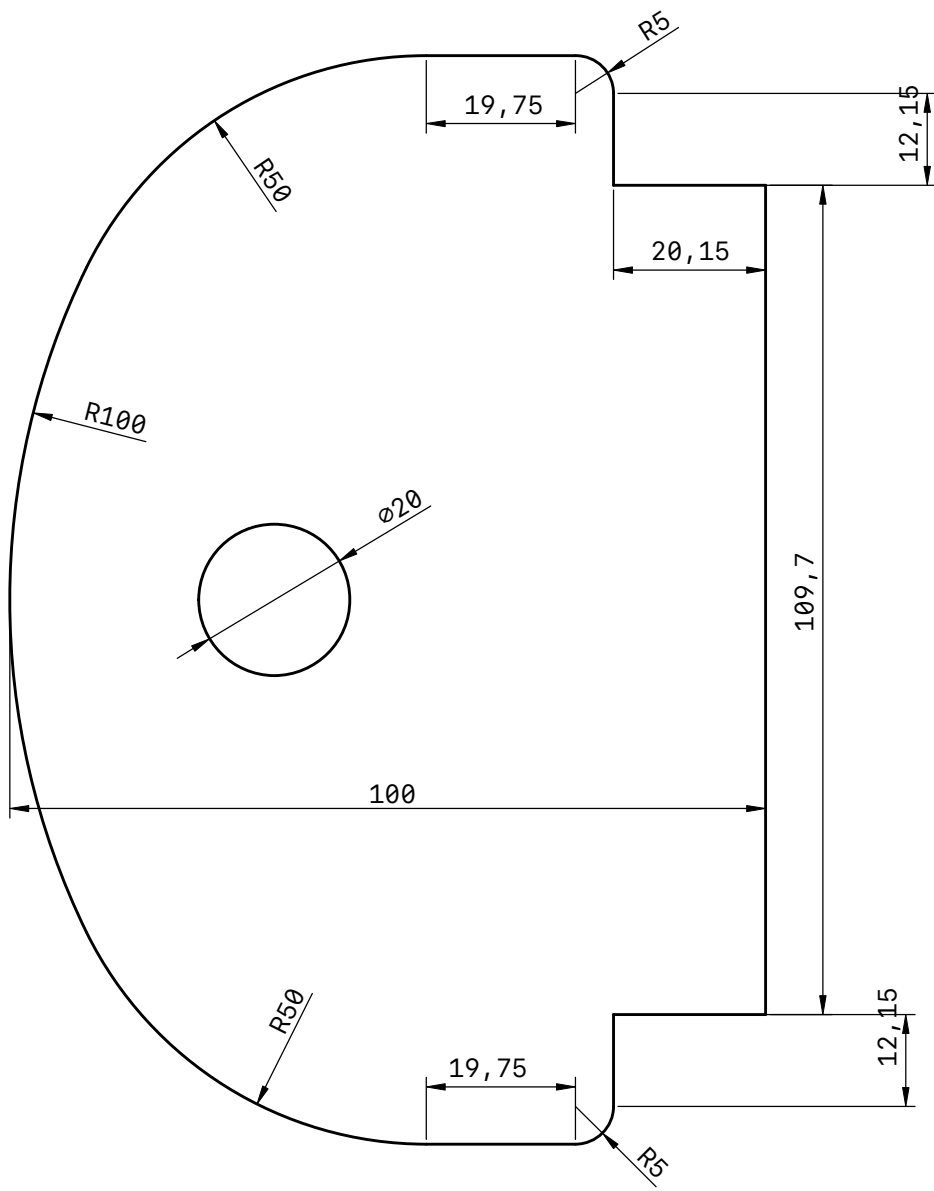
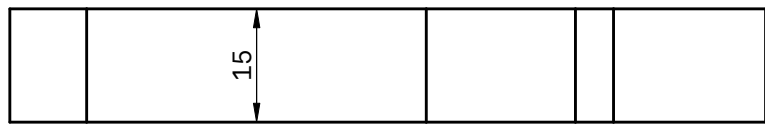
D

A

B

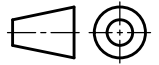
C

D



SCALE 1:2

Twee maal aluminum dik 15mm

TITLE		
<b>Hij onder (1)</b>		
LAST UPDATED	UNITS	SHEET
<b>03/13/22</b>	<b>mm</b>	<b>1 / 1</b>
FIRST ANGLE PROJECTION	SCALE	SIZE
	<b>1:1</b>	<b>A4</b>

1 2 3 4 5 6