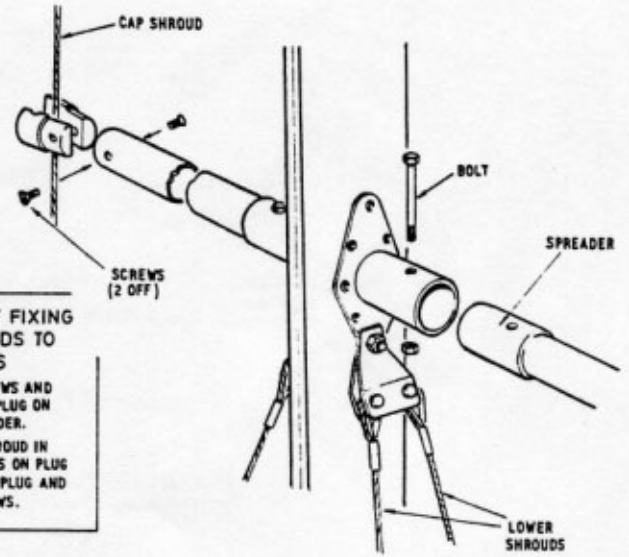


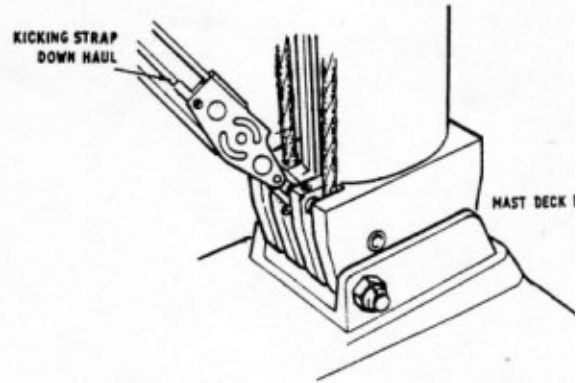
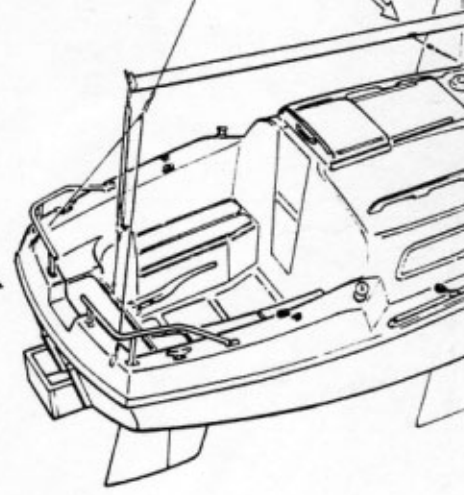
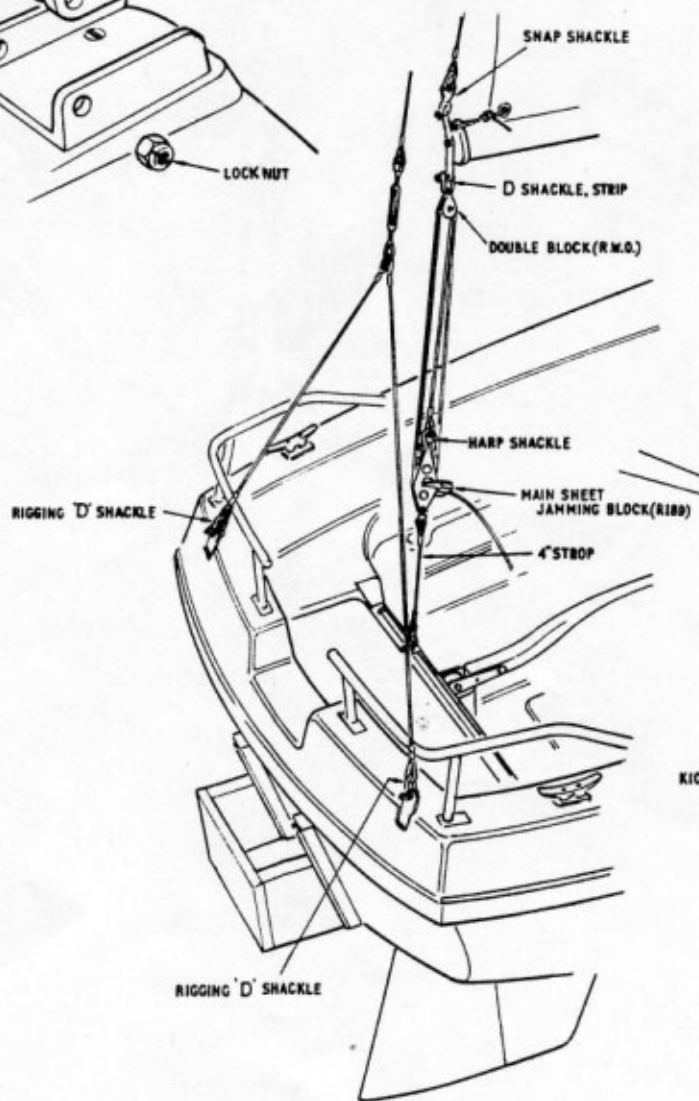
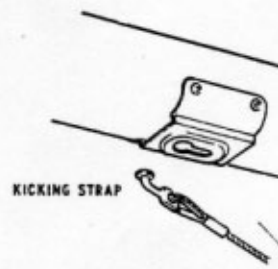
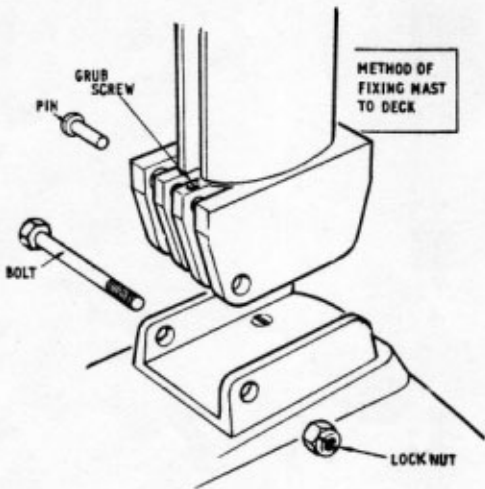
LEISURE 23 RIGGING DIAGRAM

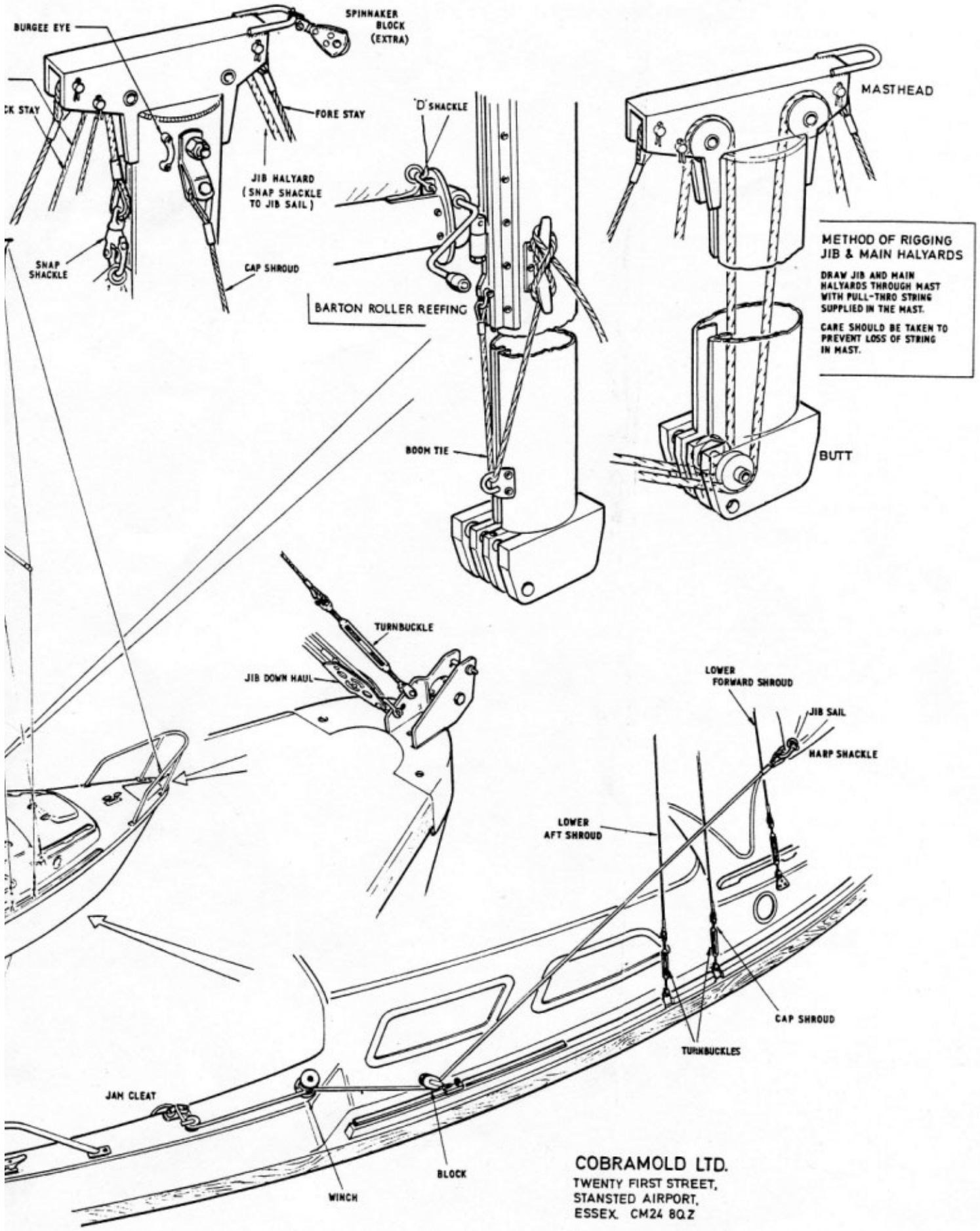
RIGGING ITEMS

- 1 SET OF RIGGING COMPLETE
- 1 R.W.O. DOUBLE BLOCK
- 1 MAIN SHEET JAMMING BLOCK (RIBB)
- 1 JIB DOWN HAUL
- 2 $\frac{1}{2}$ " D' SHACKLE (S/STEEL)
- 1 $\frac{1}{2}$ " HARP SHAPE SHACKLES (BRASS)
- 3 SWIVEL D' SNAP SHACKLES
- 1 4" STROP
- 2 RIGGING D' SHACKLES (BRASS)
- 1 COMPLETE SET OF SHEETS AND HALYARDS
- 1 REEFING HANDLE
- 1 BOOM TIE
- 1 KICKING STRAP UNIT (OPTIONAL EXTRA)
- 8 TURNBUCKLES
- 1 $\frac{3}{16}$ " D' SHACKLE (S/STEEL)
- 1 $\frac{1}{2}$ " D' SHACKLE STRIP (S/STEEL)
- 1 $\frac{1}{2}$ " BRASS D SHACKLE
- 1 $\frac{3}{16}$ " HARP SHAPE SHACKLE (S/STEEL)



METHOD OF FIXING CAP SHROUDS TO SPREADERS
 TAKE OUT SCREWS AND REMOVE SPLIT PLUG ON END OF SPREADER.
 INSERT CAP SHROUD IN GROOVED GUIDES ON PLUG THEN REPLACE PLUG AND TIGHTEN SCREWS.





METHOD OF RIGGING JIB & MAIN HALYARDS

DRAW JIB AND MAIN HALYARDS THROUGH MAST WITH PULL-THRO STRING SUPPLIED IN THE MAST.

CARE SHOULD BE TAKEN TO PREVENT LOSS OF STRING IN MAST.

COBRAMOLD LTD.
 TWENTY FIRST STREET,
 STANSTED AIRPORT,
 ESSEX. CM24 8QZ

Phone : BISHOP STORTFORD 870551
 (0279) 870794