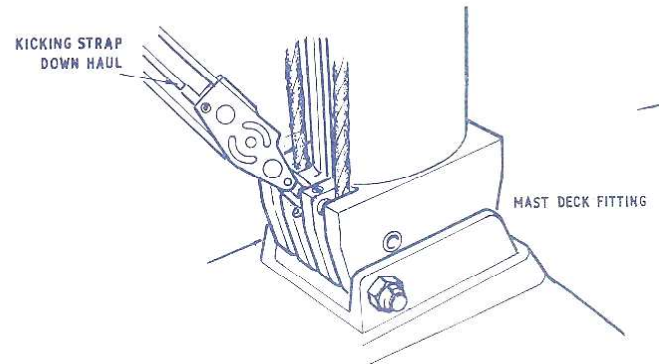
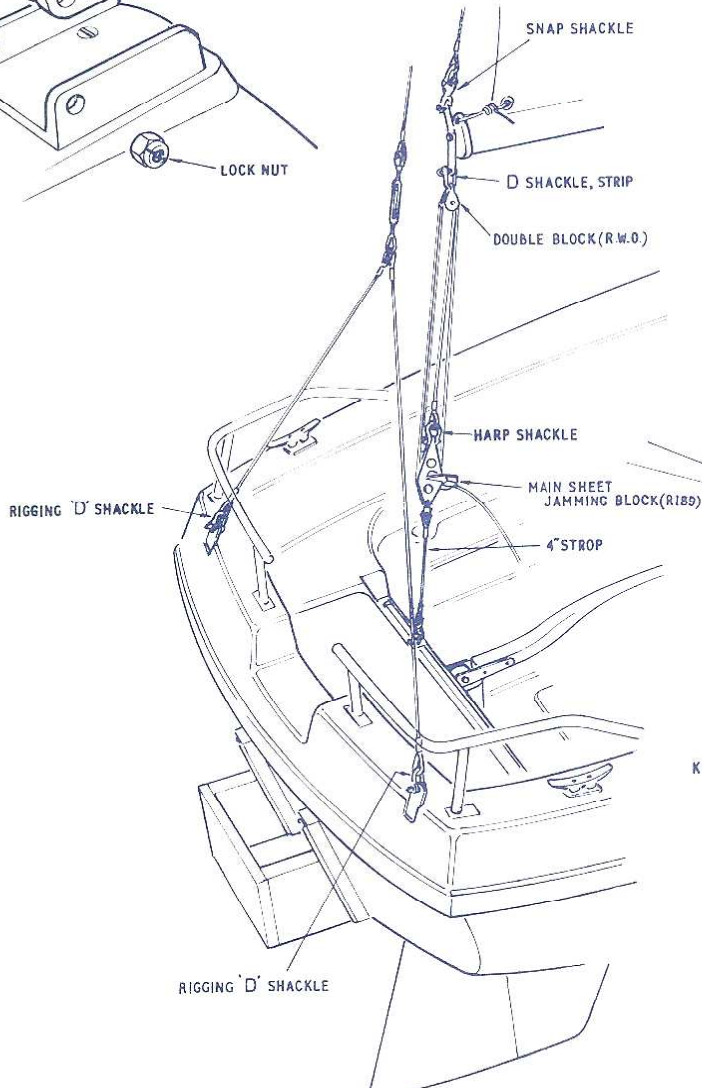
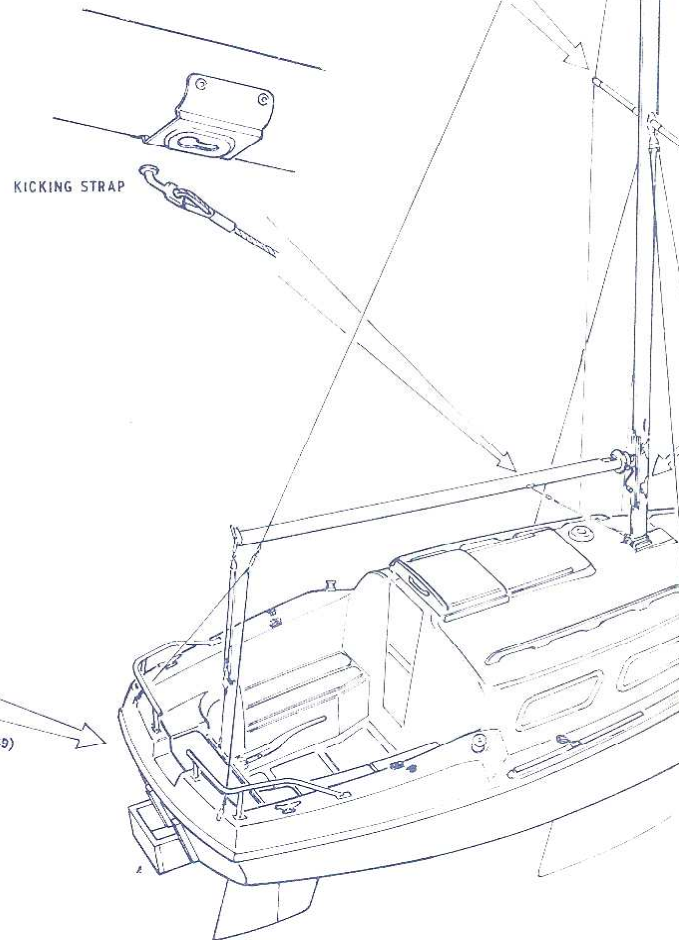
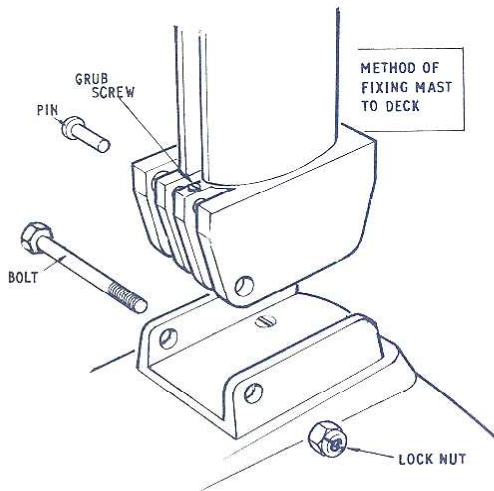
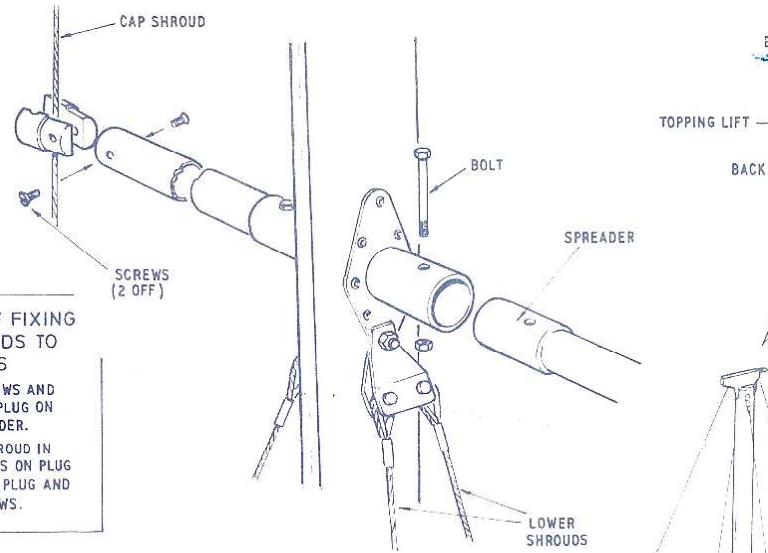
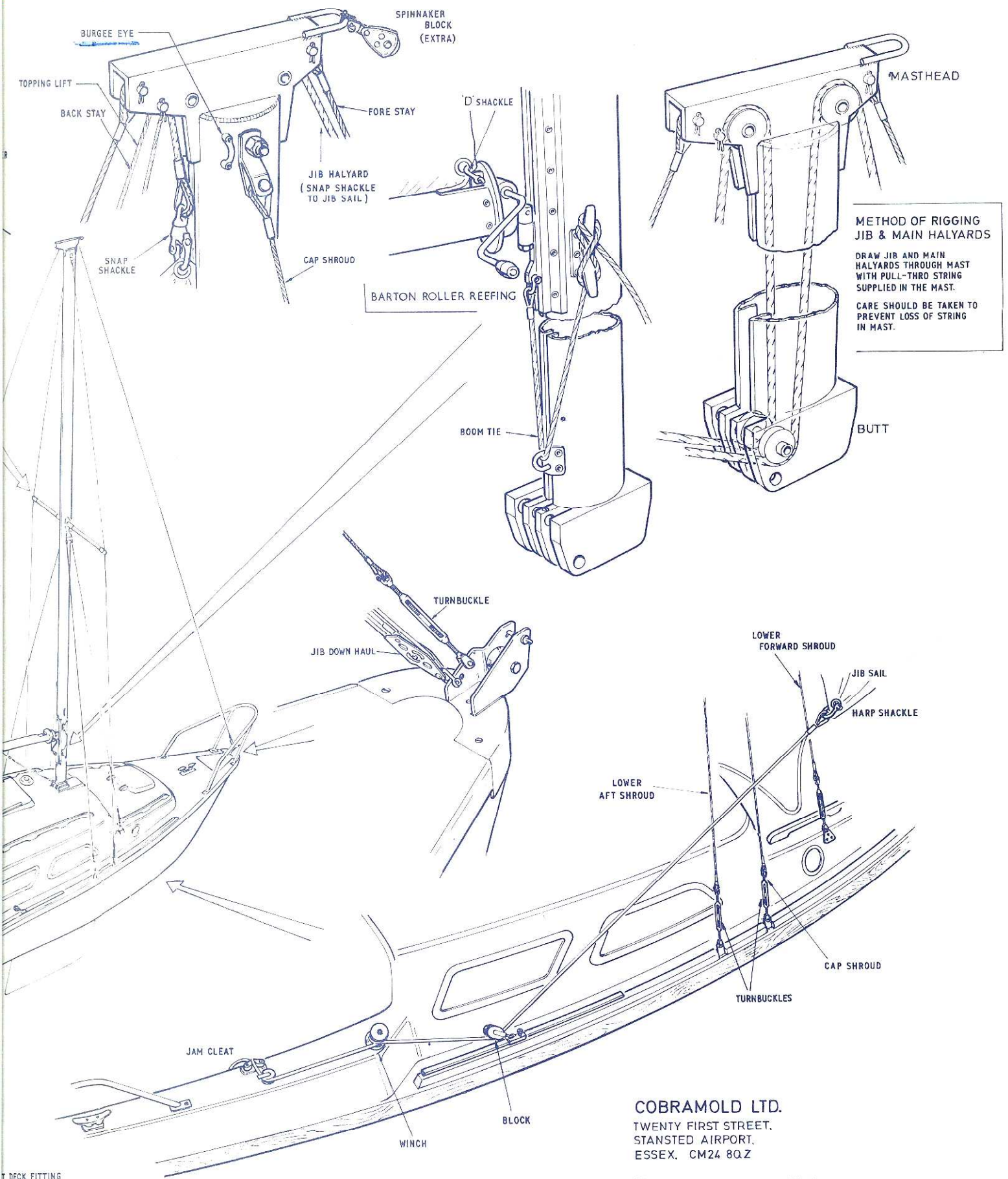


LEISURE 22 RIGGING DIAGRAM

RIGGING ITEMS

- 1 SET OF RIGGING COMPLETE
- 1 R.W.O. DOUBLE BLOCK
- 1 MAIN SHEET JAMMING BLOCK (R189)
- 1 JIB DOWN HAUL
- 2 1/4" 'D' SHACKLE (S/STEEL)
- 1 1/4" HARP SHAPE SHACKLES (BRASS)
- 3 SWIVEL 'D' SNAP SHACKLES
- 1 4" STROP
- 2 RIGGING 'D' SHACKLES (BRASS)
- 1 COMPLETE SET OF SHEETS AND HALYARDS
- 1 REEFING HANDLE
- 1 BOOM TIE
- 1 KICKING STRAP UNIT (OPTIONAL EXTRA)
- 8 TURNBUCKLES
- 1 3/16" 'D' SHACKLE (S/STEEL)
- 1 1/4" 'D' SHACKLE STRIP (S/STEEL)
- 1 1/4" BRASS 'D' SHACKLE
- 1 3/16" HARP SHAPE SHACKLE (S/STEEL)





METHOD OF RIGGING JIB & MAIN HALYARDS
 DRAW JIB AND MAIN HALYARDS THROUGH MAST WITH PULL-THRU STRING SUPPLIED IN THE MAST.
 CARE SHOULD BE TAKEN TO PREVENT LOSS OF STRING IN MAST.

COBRAMOLD LTD.
 TWENTY FIRST STREET,
 STANSTED AIRPORT,
 ESSEX. CM24 8QZ

Phone : BISHOP STORTFORD 870551
 (0279) 870794

DECK FITTING