
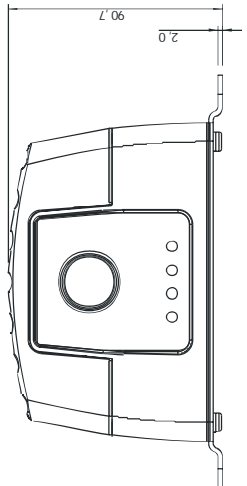
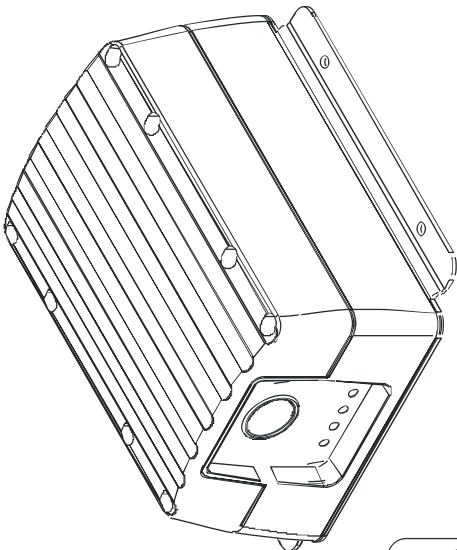
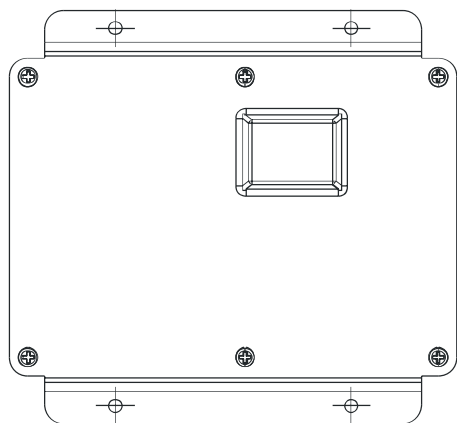
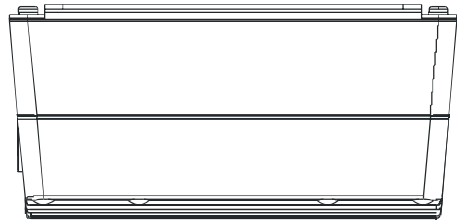
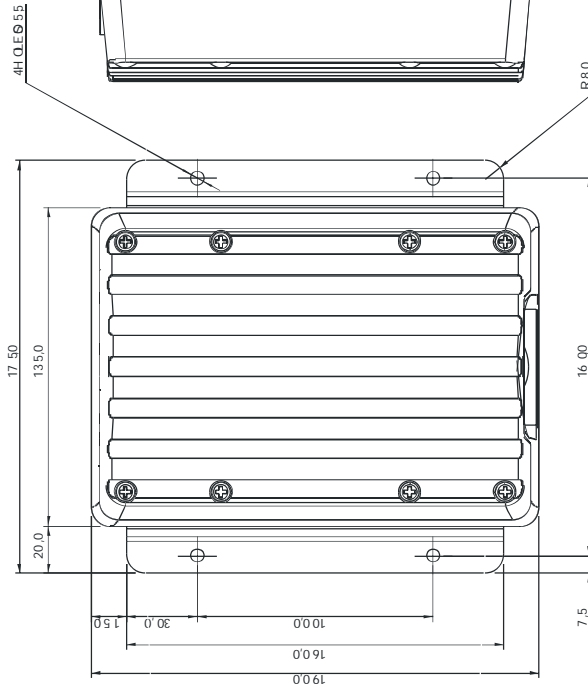
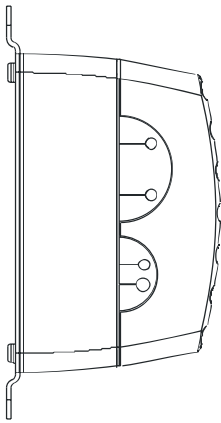


General Arrangement

 THIRD ANGLE PROJECTION		REVISION HISTORY 1 PRODUCT ON RELEASE DATE 23/02/06 APPROVED 2 BUTD INC HING ID TO M BRANES WITH 16/6/06
---	--	--



MATERIAL: RUBBERSHEET 1mm THICK GRADE TO BE DECIDE	C O P Y R I G H T I F I S D R A W N G E N T E R I N G I D V I N C I O U S R E F E R E N C E I D I N C L U D E D I N T H I S D R A W I N G I S M A N D A T O R Y D R A W N M K M O L L E G A T S O S C H E C K E D N A M E D A T E P A G 4 B S U N I S S O M E R W I S E S E C T E D D I M E N S I O N S A R E I N M I L L I M E T E R S 0 0 1 0 2 0 0 0 0 1	S O F T W A R E A D D T E C H N O L O G Y L C W E S T F I E L D I N D U S T R I A L E S T A T E M I D S O M E R N O R T H O N , B A T H U K . U N I T D I M E N S I O N S I D 2111 R E F 2 R E N A M E I D 2 1 1 1 S A E 1 S H E E T 1 O F 1
---	---	--