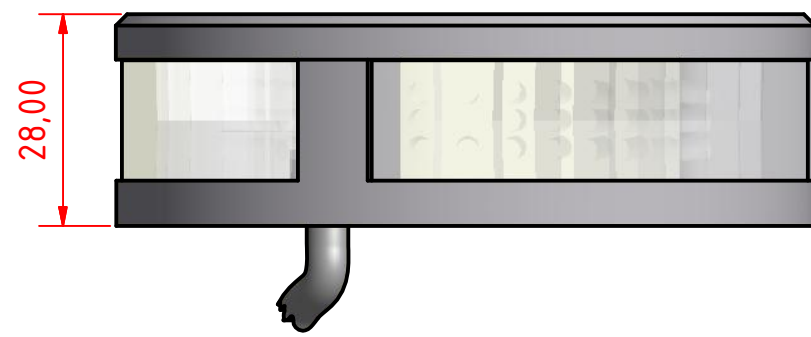
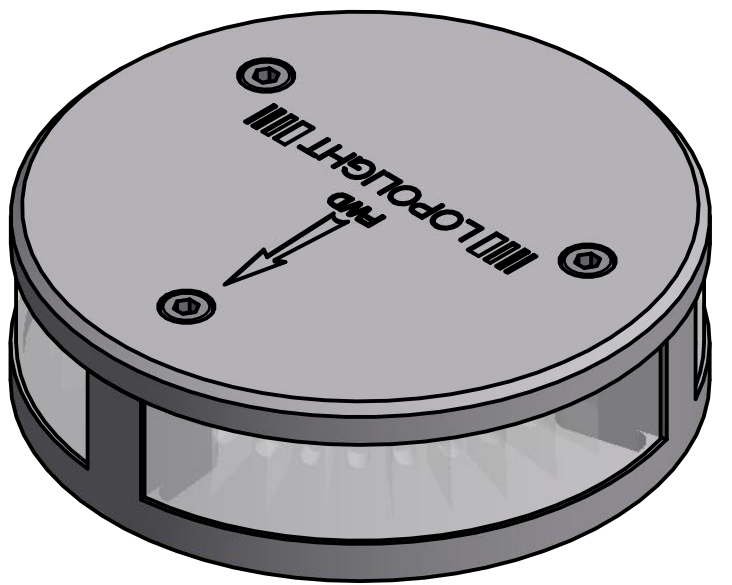
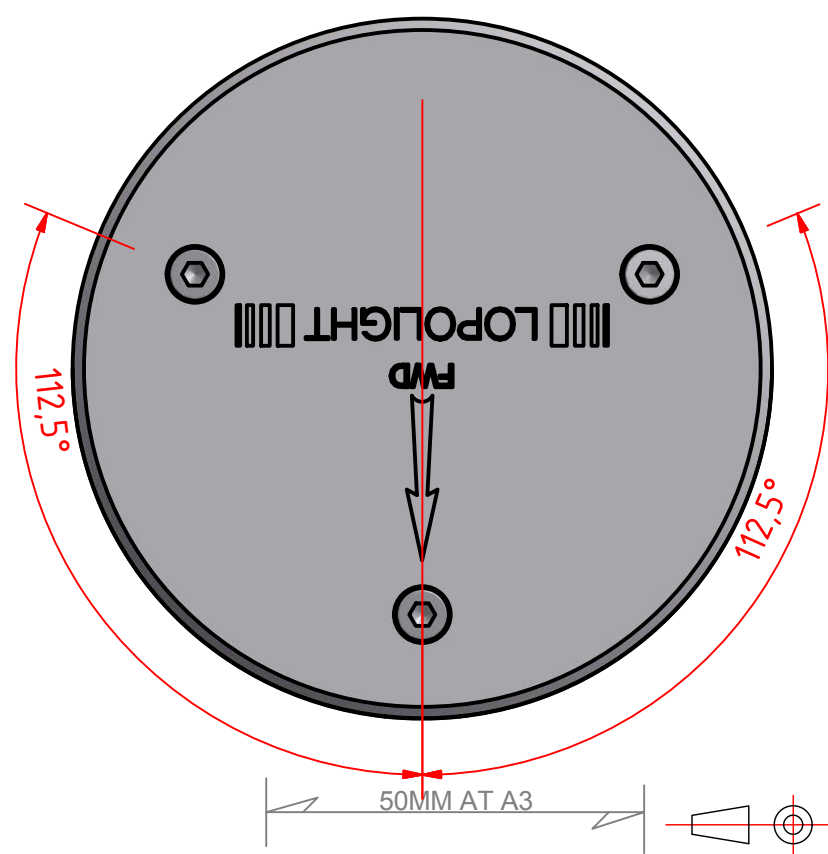


Bored to receive DIN 912, M4 machine screws which are accessed under the lid from the top (typ. 3)



Pre-wired Cable Exit $\varnothing 5,5$ mm shielded marine cable



Specification Drawing, Model No. 100-009
Tricolor With 1/2 nm Anchor Light

DRAWING NO.: 100-009	REV. NO.:	SIZE: A3	DRAWN BY: Paul
SCALE: 1:1	TOLERANCES: DS/ISO 2768-f	REVIEWED BY: PHH	

MATERIAL DESCRIPTION:
Aluminium & PMMA

This Drawing, and the information within, is the property of Lopolight ApS and may not be used in any form without express permission there from. Lopolight reserves the right to change this drawing and assumes no liability for the information communicated herein. Use of dimensions and other information in this drawing is at the users own risk.



Lopolight ApS www.lopolight.com
Ved Klaedebo 12
DK-2970, Hoersholm
Denmark

Tel:(+45) 32 48 50 30 Fax:(+45) 32 48 50 32
info@lopolight.com