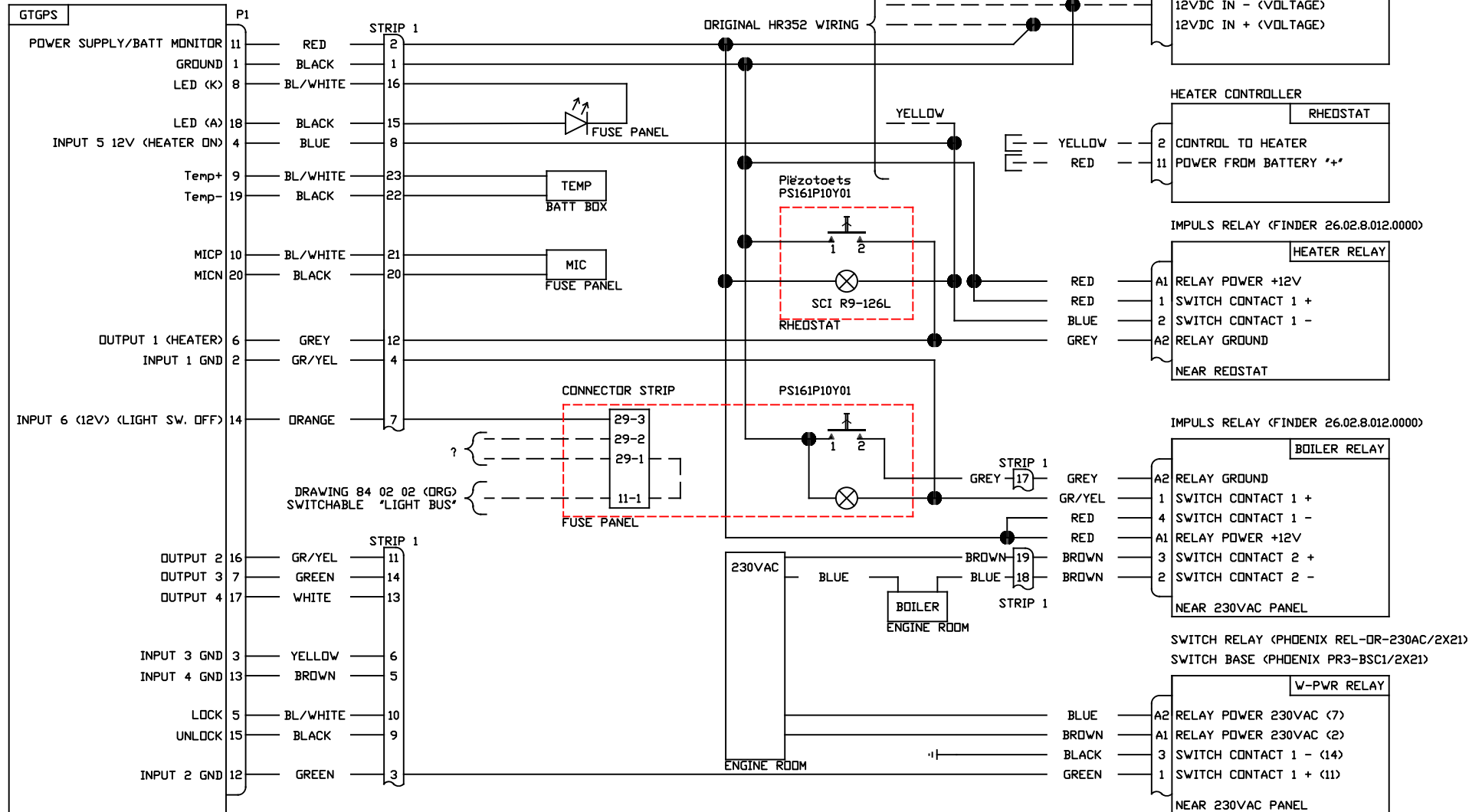



TOPKODAS
GTgps



				NOTE/REF: Topkodas UG GTGPSv1	 DRAWN: M.BOUMANS CONT: - APPR: M.B. DATE: 01.10.16 SCALE: NONE GROUP: ENGRG.HELIX
				ATA-NR: 23.60.00	
				TECHNICAL DEPARTMENT	
				TITLE	
				GTGPS INSTALLATION	DRAWING NUMBER:
					FLO-E0001-00
NR.	REVISION	DATE	SIGN		SH: 1of1
					REV: Org