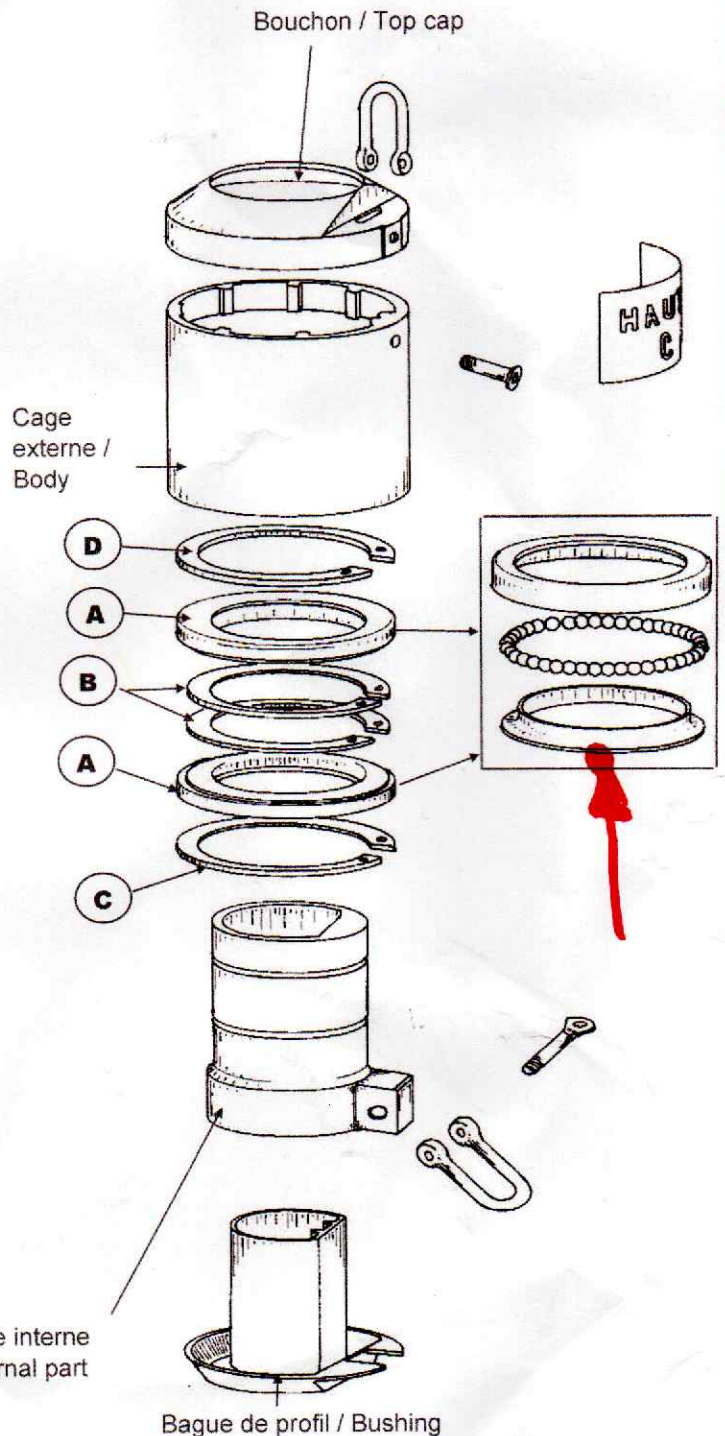
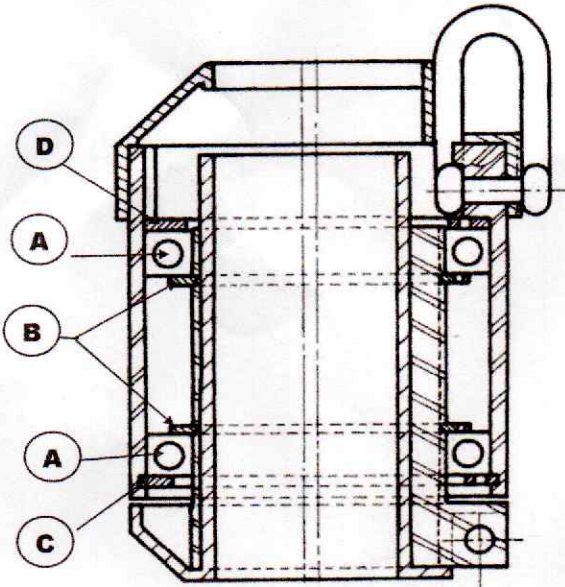


## Plan de principe d'un curseur émerillon "SD" "SD" halyard swivel drawing



	<b>C30/C14</b>	<b>C38/R24</b>	<b>C46/R34</b>
<b>A</b>	Roulement / Bearing Ø44xØ60x8 14098160000	Roulement / Bearing Ø58xØ76x9 14098176000	Roulement / Bearing Ø72xØ90x9 14098190000
<b>B</b>	Circlips externe Ø45 External ring Ø45 14072045100	Circlips externe Ø58 External ring Ø58 14072058100	Circlips externe Ø72 External ring Ø72 14072072100
<b>C</b>	Circlips interne Ø60 Internal ring Ø60 14071060100	Circlips interne Ø75 Internal ring Ø75 14071075100	Circlips interne Ø90 Internal ring Ø90 14071090100
<b>D</b>	Circlips interne Ø58 Internal ring Ø58 14071058100	Circlips interne Ø72 Internal ring Ø72 14071072100	Circlips interne Ø85 Internal ring Ø85 14071085100