

# onderdelencatalogus parts catalogue



groep/ group 3	blz./ page 7	type M3.10 M4.14	omschrijving/description Buitenboordwaterpomp assemblage Sea water pump assy	datum/date 25 03 98
----------------------	--------------------	------------------------	--	------------------------

pos.	qty	part	benaming	description
1	2	STM6052	Motorsteun staal	Engine support steel
2	1	STM7051	Knie	Knee
3	4	STM2012	Slangklem	Hose clamp
4	2	STM7062	Slang	Hose
5	1	STM7052	Pijp	Pipe
6	1	STM8051	Tussenflens	Adaptor flange
7	4	STM4056	Veerring	Washer
8	4	STM7053	Bout	Bolt
14	2	STM1019	Veerring	Washer
20	2	STM7058	Kikkerplaatje	Clamp plate
21	2	STM7059	Bout	Bolt
22	2	STM2005	Moer	Nut
23	1	STM7060	O-ring	O-ring
24	2	STM3355	Bout	Bolt
25	1	STM8050	Buitenboordwaterpomp	Sea water pump
26	1	STM7061	Slangpilaar	Hose pillar
27	2	STM3496	Motorsteun voor hoog	Engine support front high
28	2	STM3495	Motorsteun verhoogd	Engine support high
29	1	STM3092	Slang	Hose



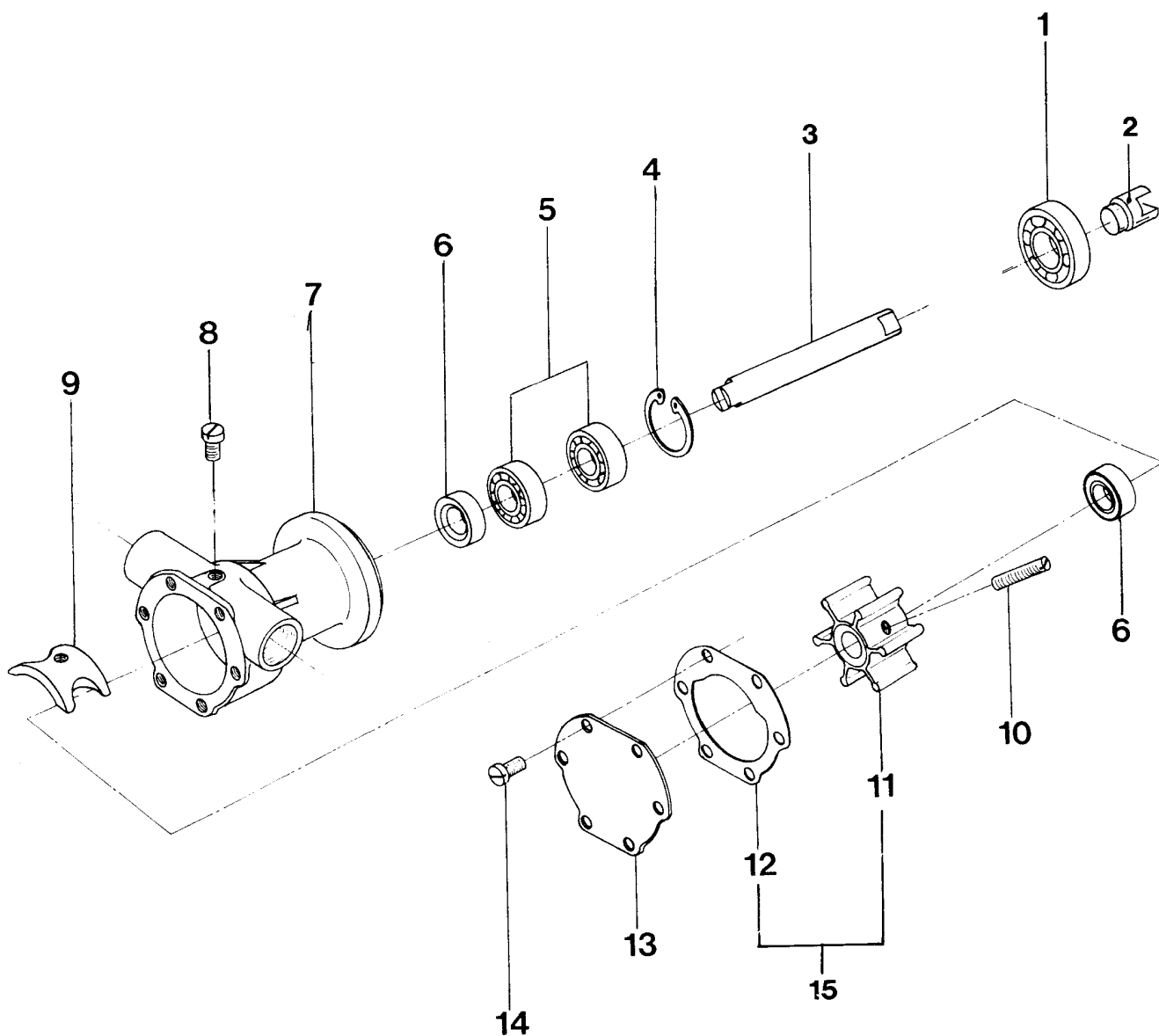
# onderdelencatalogus parts catalogue



groep/ group 3	blz./ page 8	type M3.10 M4.14	omschrijving/description Buitenboordwaterpomp Sea water pump	datum/date 08 01 02
----------------------	--------------------	------------------------	--	------------------------

pos.	qty	part	benaming	description
1	1	STM8065	Kogellager	Ball bearing
2	1	STM8052	Excenter bus	Excentre cage
3	1	STM8053	As	Shaft
4	1	STM8066	Seegerring	Retaining clip
5	2	STM8067	Kogellager	Ball bearing
6	2	STM8068	Keerring	Lip seal
7	1	STM8069	Huis	Body
8	1	STM8058	Schroef	Screw
9	1	STM8059	Kam 1/1 (5,5 mm)	Cam 1/1 (5.5 mm)
10	1	STM8060	Schroef	Screw
11	1	STM8061	Waaier	Impeller
12	1	STM8062	Pakking	Gasket
13	1	STM8063	Deksel	Cover
14	6	STM8064	Schroef	Screw
15	1	STM8076	Reparatie set (11+12)	Rep.set (11+12)

groep/ group	blz./ page	type	omschrijving/description	datum/date
3	8	M3.10 M4.14	Buitenboordwaterpomp Sea water pump	01 10 93



3