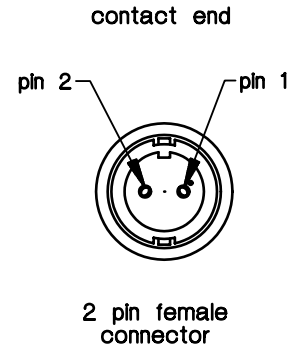
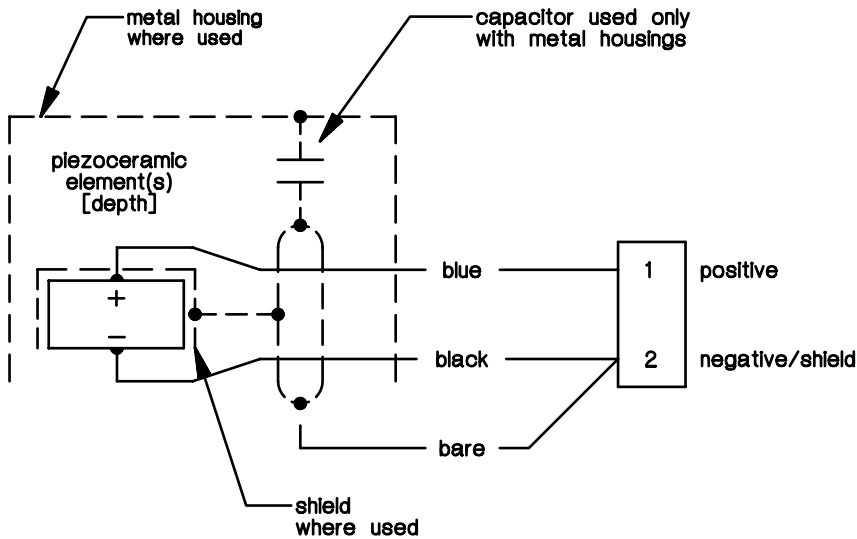


THIRD ANGLE PROJECTION		REVISIONS			
	REV	DESCRIPTION	ECO NO	DATE	CHG/CHK
	1	RELEASE TO PRODUCTION		4/19/93	RMC/JJ

Wiring Diagram #91-170



rev 1

longfilename=/home/airmar2/parts2/91/91-170-rev01-a.cad

UNLESS OTHERWISE SPECIFIED DIMENSIONS ARE IN INCHES TOLERANCES ON 2 PL DECIMALS ±.02 3 PL DECIMALS ±.005 ANGLES ± 1/2° FRACTIONS ± 1/32 MIN. SURFACE FINISH $\sqrt{250}$	SIGNATURE		DATE	AIRMAR TECHNOLOGY CORPORATION 35 MEADOWBROOK DR MILFORD NH 03055-4613 USA TEL: 603-673-9570 FAX: 603-673-4624
	DRAWN	R. CULLEN	4/12/93	
MATERIAL AIRMAR CABLE #06-002 AIRMAR CONNECTOR #05-083 AIRMAR CONNECTOR #04-102-2	CHECKED	J. JEFFERS	4/19/93	TITLE STANDARD DEPTH WIRING WITH 2 PIN FEMALE CONXALL TYPE CONNECTOR
	APPROVED	R. JEFFERS	4/19/93	
SIZE \sqrt{A} SCALE: NONE NUMBER SHEET 1 OF 1			91-170 REV 1	
THIS DOCUMENT AND THE DATA DISCLOSED HEREIN OR HERewith IS NOT TO BE REPRODUCED, USED, OR DISCLOSED IN WHOLE OR IN PART TO ANYONE WITHOUT THE PERMISSION OF AIRMAR.				[CD] CRITICAL DIMENSION DO NOT SCALE DRAWING