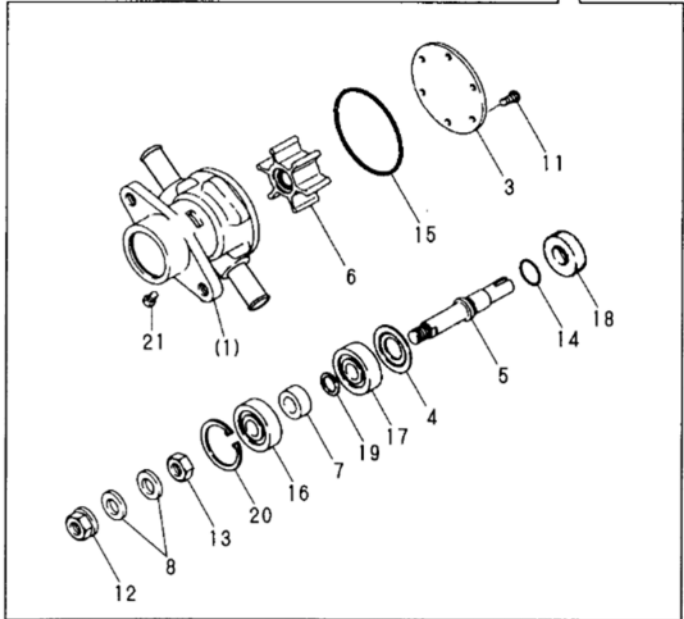
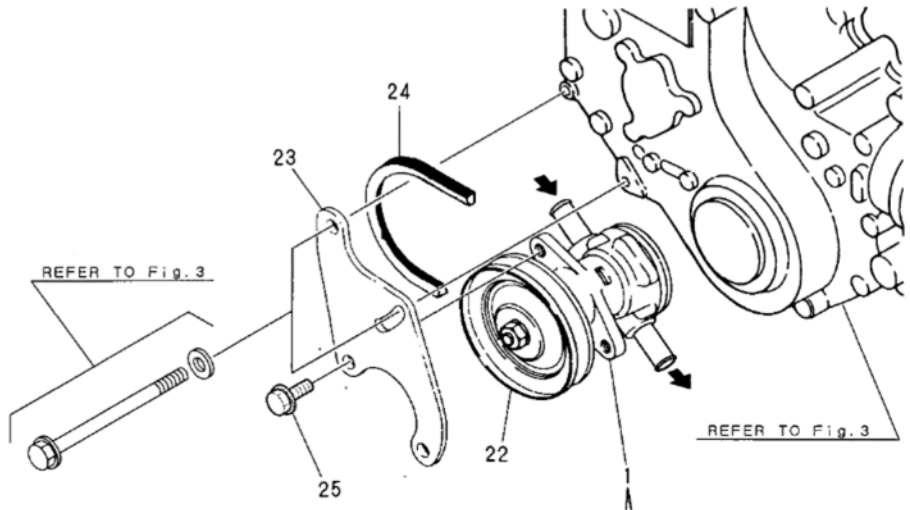


Fig.30. COOLING SEA WATER PUMP

(A)=3GM30-YEU
(B)=3GM30C-YEU
(C)=3GM30F-YEU

(D)=3GM30FC-YEU
(E)=
(F)=

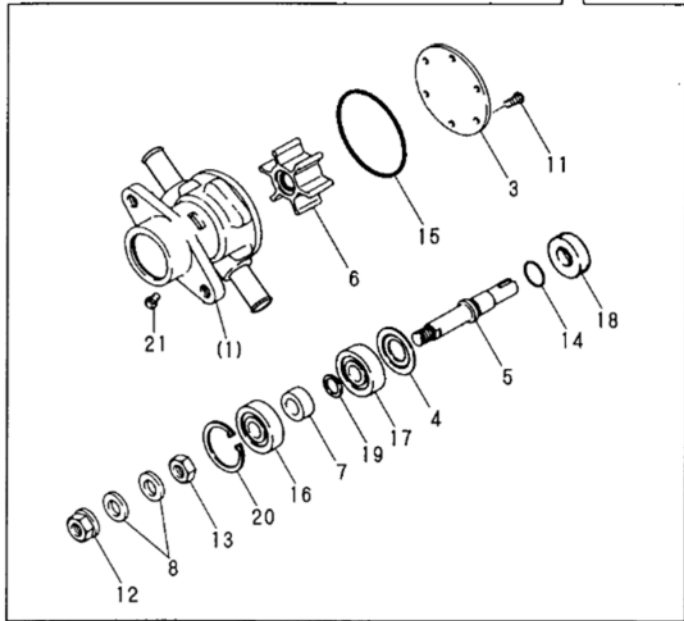
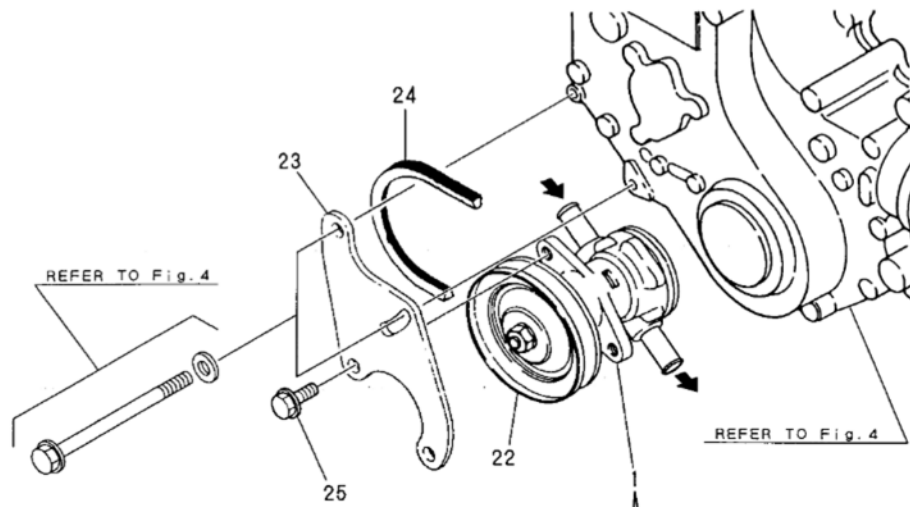


No.	Lev.	Parts No.	Description	Q'ty						I	R
				(A)	(B)	(C)	(D)	(E)	(F)		
1	1	128377-42500	PUMP ASSY, WATER	1	1						
3	2	X0142398	COVER	1	1						
4	2	X0145050	PLATE	1	1						
5	2	X0146541	SHAFT	1	1						
6	2	X08810B	IMPELLER	1	1						
7	2	X0146496	SPACER	1	1						
7-1	2	X0146542	SPACER	1	1						N
		(A=E/#E21479) (B=E/#E21465)									
8	2	X0501133	WASHER	2	2						
11	2	X0504163	SCREW	6	6						
11-1	2	128377-42520	SCREW	6	6						R
		(A=FROM 1ST) (B=FROM 1ST)									
12	2	X0505527	NUT, LOCK	1	1						
13	2	X0505528	NUT	1	1						
14	2	X0506513	O-RING	1	1						
15	2	X0506523	O-RING	1	1						
15-1	2	X0506597	O-RING	1	1						N
		(A=E/#E21479) (B=E/#E21465)									
16	2	X0508124	BEARING, BALL	1	1						
17	2	X0508130	BEARING, BALL	1	1						
18	2	X0529139	SEAL, LIP	1	1						
19	2	X0534501	RING, RETAINING	1	1						
20	2	X0534511	RING, RETAINING	1	1						
21	2	X0504124	SCREW	1	1						
22	2	124070-42400	V-PULLEY	1	1						
23	2	128377-42150	BRACKET, PUMP	1	1						
24	1	104511-78780	V-BELT, M/19	1	1						
25	1	26106-080122	BOLT, M8X 12 PLATED	2	2						

Fig.31. COOLING SEA WATER PUMP

(A)=3GM30-YEU
(B)=3GM30C-YEU
(C)=3GM30F-YEU

(D)=3GM30FC-YEU
(E)=
(F)=

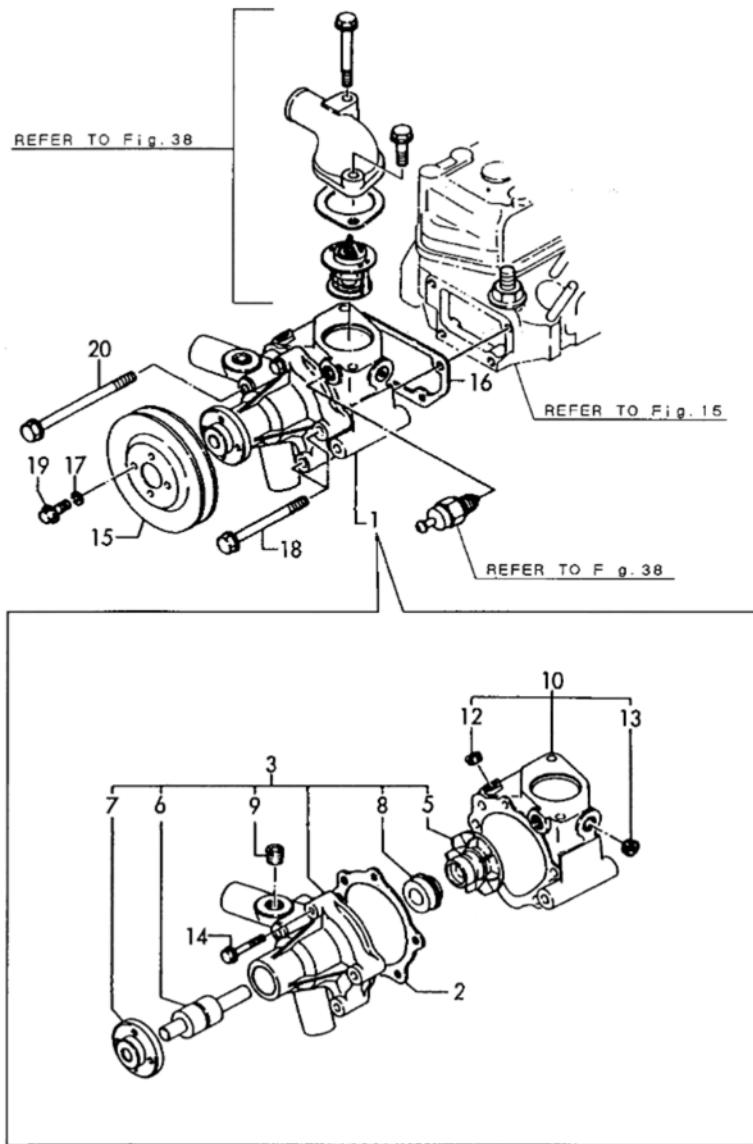


No.	Lev.	Parts No.	Description	Qty						I	R
				(A)	(B)	(C)	(D)	(E)	(F)		
1	1	128397-42500	PUMP ASSY, WATER			1	1				
3	2	X0142398	COVER			1	1				
4	2	X0145050	PLATE			1	1				
5	2	X0146541	SHAFT			1	1				
6	2	X08810B	IMPELLER			1	1				
7	2	X0146496	SPACER			1	1				
7-1	2	X0146542	SPACER			1	1				N
			(C=#E21401) (D=#E21459)								
8	2	X0501133	WASHER			2	2				
11	2	X0504163	SCREW			6	6				
11-1	2	128377-42520	SCREW			6	6				R
			(C=FROM 1ST) (D=FROM 1ST)								
12	2	X0505527	NUT, LOCK			1	1				
13	2	X0505528	NUT			1	1				
14	2	X0506513	O-RING			1	1				
15	2	X0506523	O-RING			1	1				
15-1	2	X0506597	O-RING			1	1				N
			(C=#E21401) (D=#E21459)								
16	2	X0508124	BEARING, BALL			1	1				
17	2	X0508130	BEARING, BALL			1	1				
18	2	X0529139	SEAL, LIP			1	1				
19	2	X0534501	RING, RETAINING			1	1				
20	2	X0534511	RING, RETAINING			1	1				
21	2	X0504124	SCREW			1	1				
22	1	124070-42400	V-PULLEY			1	1				
23	1	128377-42150	BRACKET, PUMP			1	1				
24	1	104511-78780	V-BELT, M/19			1	1				
25	1	26106-080122	BOLT, M8X 12 PLATED			2	2				

Fig.32. COOLING FRESH WATER PUMP

(A)=3GM30-YEU
(B)=3GM30C-YEU
(C)=3GM30F-YEU

(D)=3GM30FC-YEU
(E)=
(F)=



No.	Lev.	Parts No.	Description	Q'ty						I	R
				(A)	(B)	(C)	(D)	(E)	(F)		
1	1	128695-42010	PUMP ASSY, WATER			1	1				
2	2	121000-42051	GASKET, WATER PUMP			1	1				
3	2	121000-42100	PUMP ASSY, WATER			1	1				
5	3	129350-42200	IMPELLER			1	1				
6	3	121450-42240	BEARING, SHAFT			1	1				
7	3	121450-42260	FLANGE, V-PULLEY			1	1				
8	3	121450-42310	SEAL, MECHANICAL			1	1				
9	3	23871-030000	PLUG, R03			1	1				
10	2	728695-43500	BRACKET ASSY			1	1				
12	3	23871-020000	PLUG, R02			1	1				
13	3	23871-030000	PLUG, R03			1	1				
14	2	26106-060322	BOLT, M6X 32 PLATED			1	1				
15	1	128695-42350	V-PULLEY			1	1				
16	1	121450-44410	GASKET			1	1				
17	1	22217-060000	WASHER, SPRING 6			4	4				
18	1	26106-080902	BOLT, M8X 90 PLATED			3	3				
19	1	26106-060102	BOLT, M6X 10 PLATED			4	4				
20	1	26106-081102	BOLT, M8X110 PLATED			1	1				