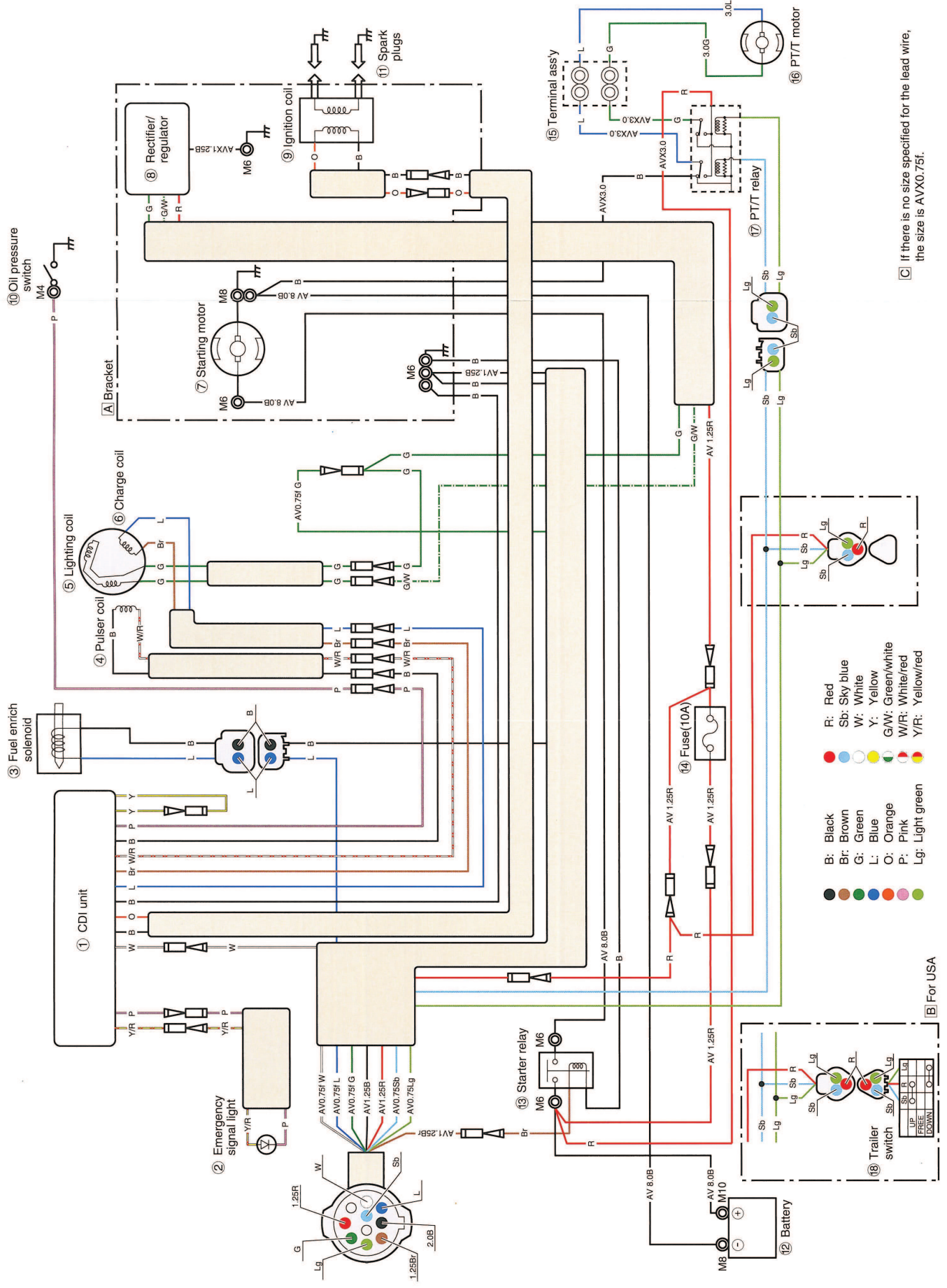


# WIRING DIAGRAM

FT8DEP/T8PR



[B] For USA