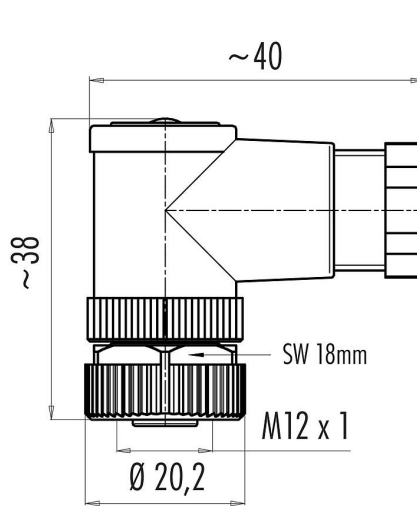


Product description	M12-A female angled connector, Contacts: 5, 6.0 - 8.0 mm, unshielded, screw clamp, IP67, UL, PG9
Area	M12-A series 713
Order number	99 0436 52 05

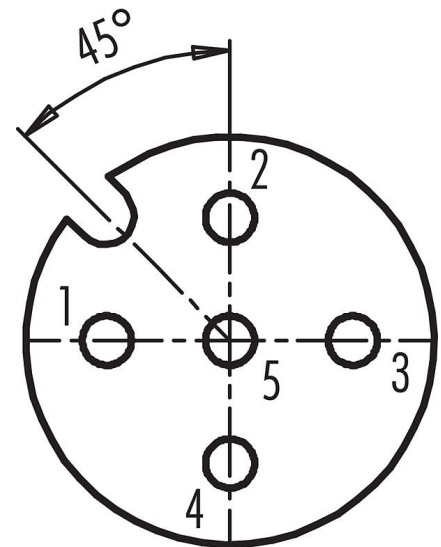
### Illustration



### Scale drawing



### Contact arrangement (Plug-in side)



You can find the component part drawing and assembly instructions on the next page.

## Technical data

### General features

Order number	99 0436 52 05
Connector design	female angled connector
Version	connector female angled
Connector locking system	screw
Termination	screw clamp
Degree of protection	IP67
Cross-sectional area	max. 0.75 mm <sup>2</sup> / max. AWG 18
Cable outlet	6.0 - 8.0 mm
Twistability	90° (4 coding options)
Temperature range from/to	-40 °C / 85 °C
Mechanical operation	> 50 Mating cycles
Weight (g)	26.921
Customs tariff number	85369010

### Electrical parameters

Rated voltage	60 V
---------------	------

# Product data sheet

## Automation technology - sensors and actuators



Product description	M12-A female angled connector, Contacts: 5, 6.0 - 8.0 mm, unshielded, screw clamp, IP67, UL, PG9
Area	M12-A series 713
Order number	99 0436 52 05

Rated impulse voltage	1500 V
Rated current (40 °C)	4 A (3 A UL)
Insulation resistance	> 10 <sup>8</sup> Ω
Pollution degree	3
Overvoltage category	II
Insulating material group	III
EMC compliance	unshielded

### Material

Housing material	PA
Contact body material	PA
Contact material	CuZn (brass)
Contact plating	CuSnZn (Optalloy)
REACH SVHC	CAS 96-45-7 (Imidazolidine-2-thione) CAS 7439-92-1 (Lead)
SCIP number	bcb51c19-0c5a-42d5-b2ce-51707a853c46

### Authorization/approvals

Approvals	UL
-----------	----

### Classifications

eCl@ss 11.1	27-44-01-02
ETIM 7.0	EC002635

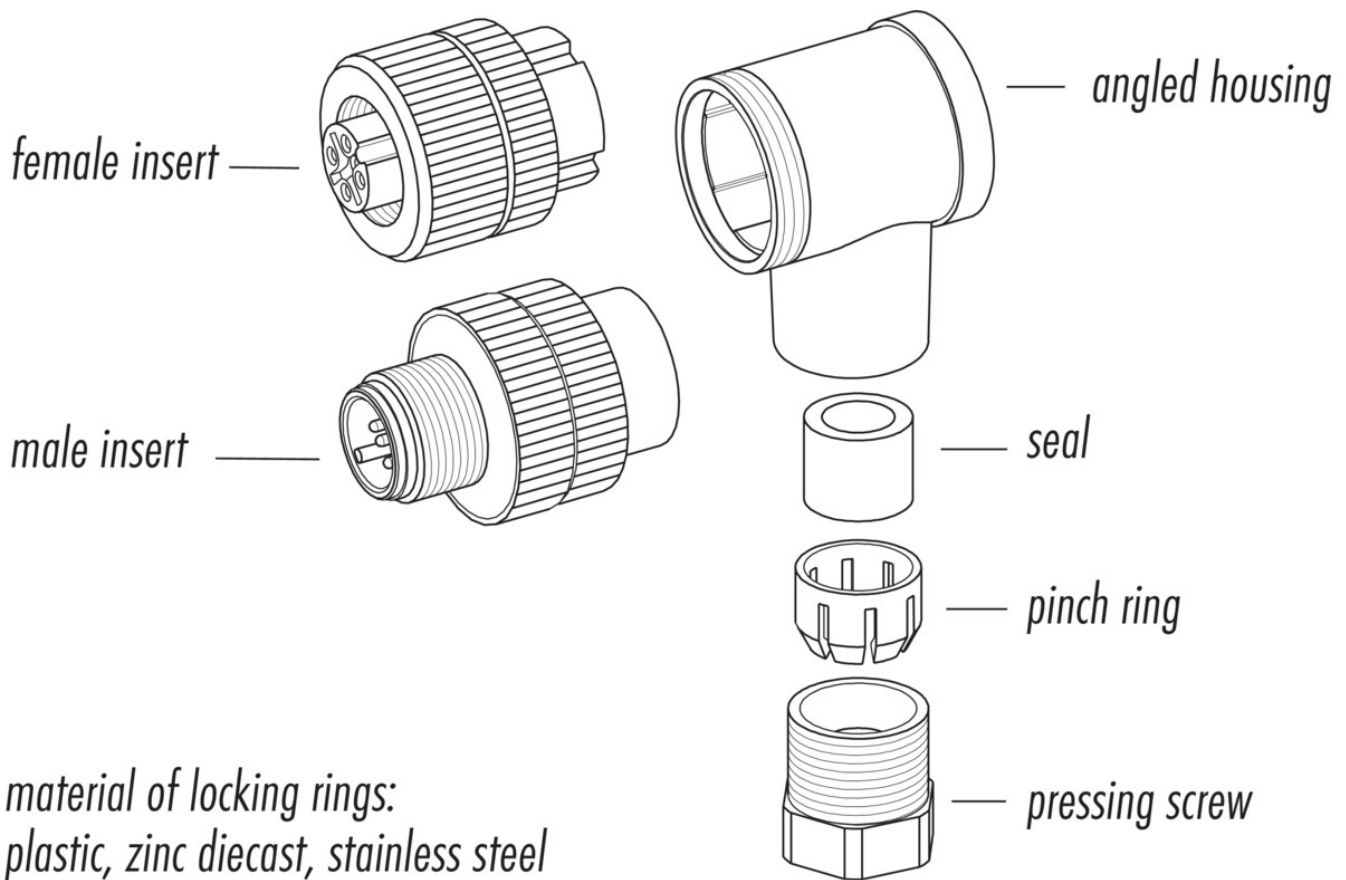
### Declarations of conformity

Low Voltage Directive	2014/35/EU (EN 60204-1:2018;EN 60529:1991)
-----------------------	--

Product description M12-A female angled connector, Contacts: 5, 6.0 - 8.0 mm, unshielded, screw clamp, IP67, UL, PG9

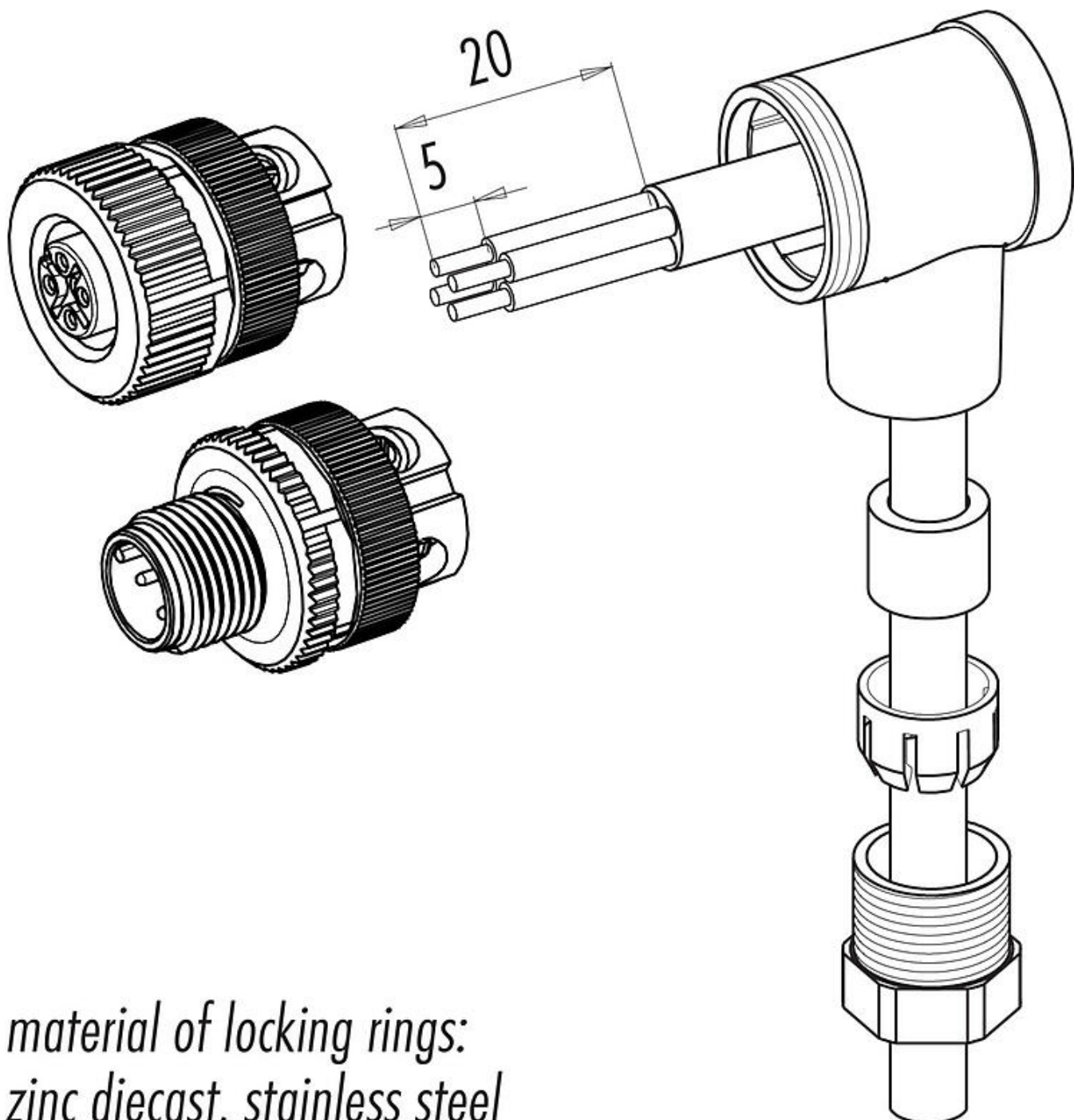
Area M12-A series 713  
Order number 99 0436 52 05

Component part drawing



Product description	M12-A female angled connector, Contacts: 5, 6.0 - 8.0 mm, unshielded, screw clamp, IP67, UL, PG9
Area	M12-A series 713
Order number	99 0436 52 05

Assembly instructions



*material of locking rings:  
zinc diecast, stainless steel*

Product description	<b>M12-A female angled connector, Contacts: 5, 6.0 - 8.0 mm, unshielded, screw clamp, IP67, UL, PG9</b>
Area	<b>M12-A series 713</b>
Order number	<b>99 0436 52 05</b>

### **Security notices**

The connectors have been developed for applications in plant engineering, control and electrical equipment construction. The user is responsible for checking whether the connectors can also be used in other areas of application.

Plug connectors with enclosure protection IP 67 and IP 68 are not suitable for use under water. When used outdoors, the plug connectors must be protected separately against corrosion. For further information on the IP protection classes, please refer to the "Technical Information" download centre.

To lock the cable connector with the device connector, the threaded ring is tightened "hand-tight" (approx. 60 cNm).