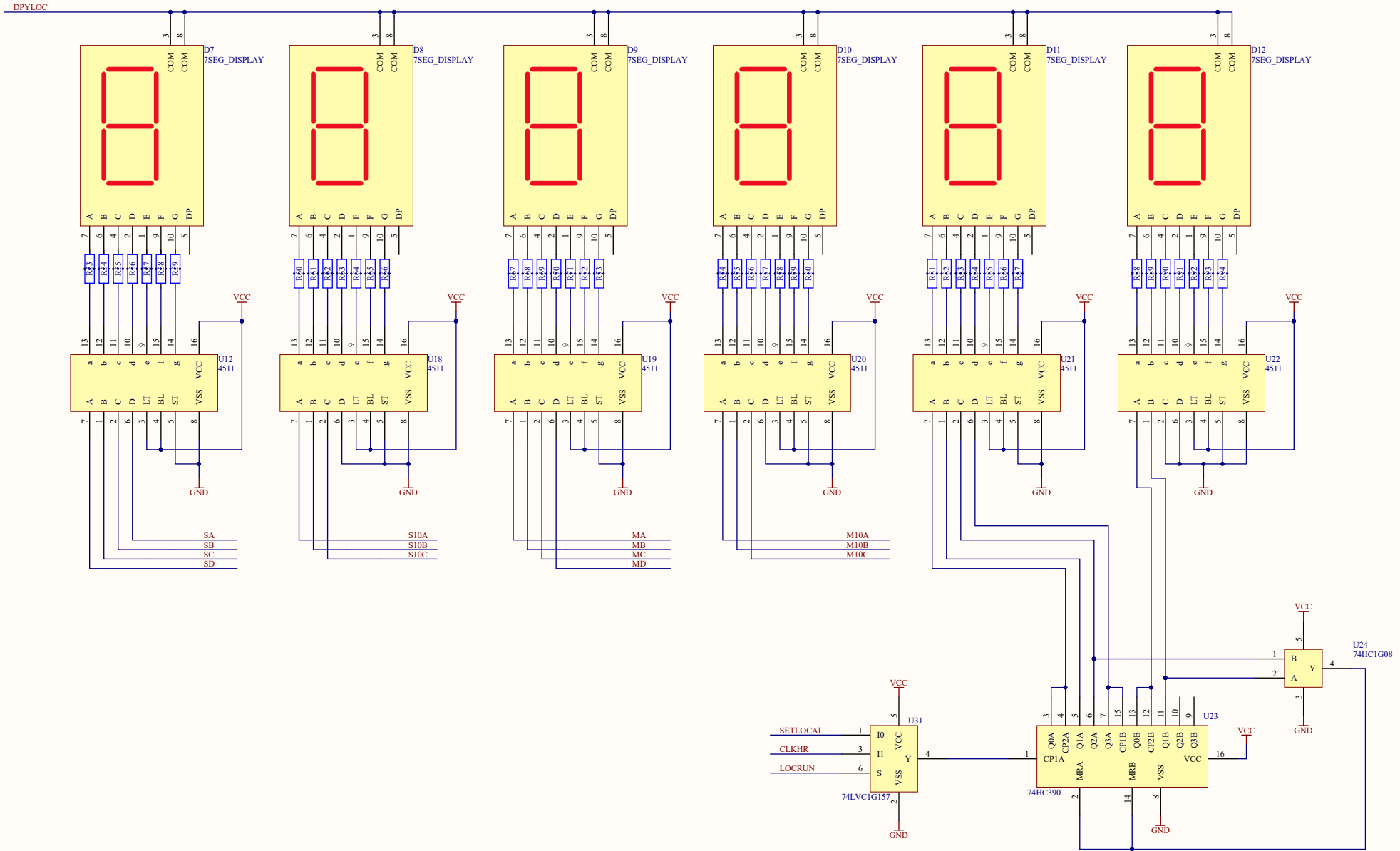


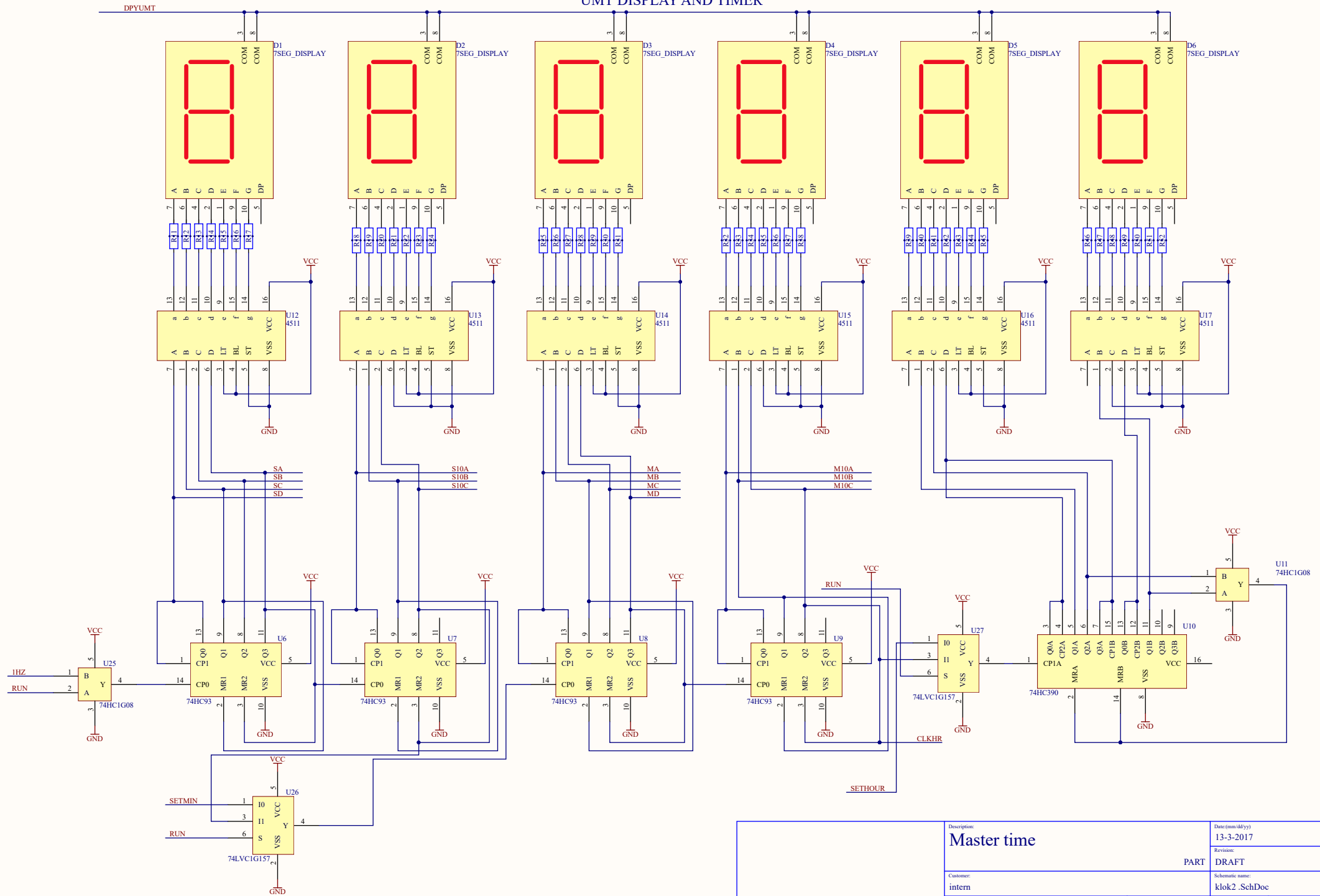
LOCAL TIME DISPLAY



Description: Master time		Date:(mm/4/yy) 13-3-2017	
Customer: intern		Revision: DRAFT	
Project name: intern		Schematic name: klok3.SchDoc	
Drawn by: A Herweijer	Project nr.: 16001	Schem. nr.:	Sheet nr: 1 of 2
TEXT	PCB nr.:	Approval:	Sheet size: A3 (420x297mm)

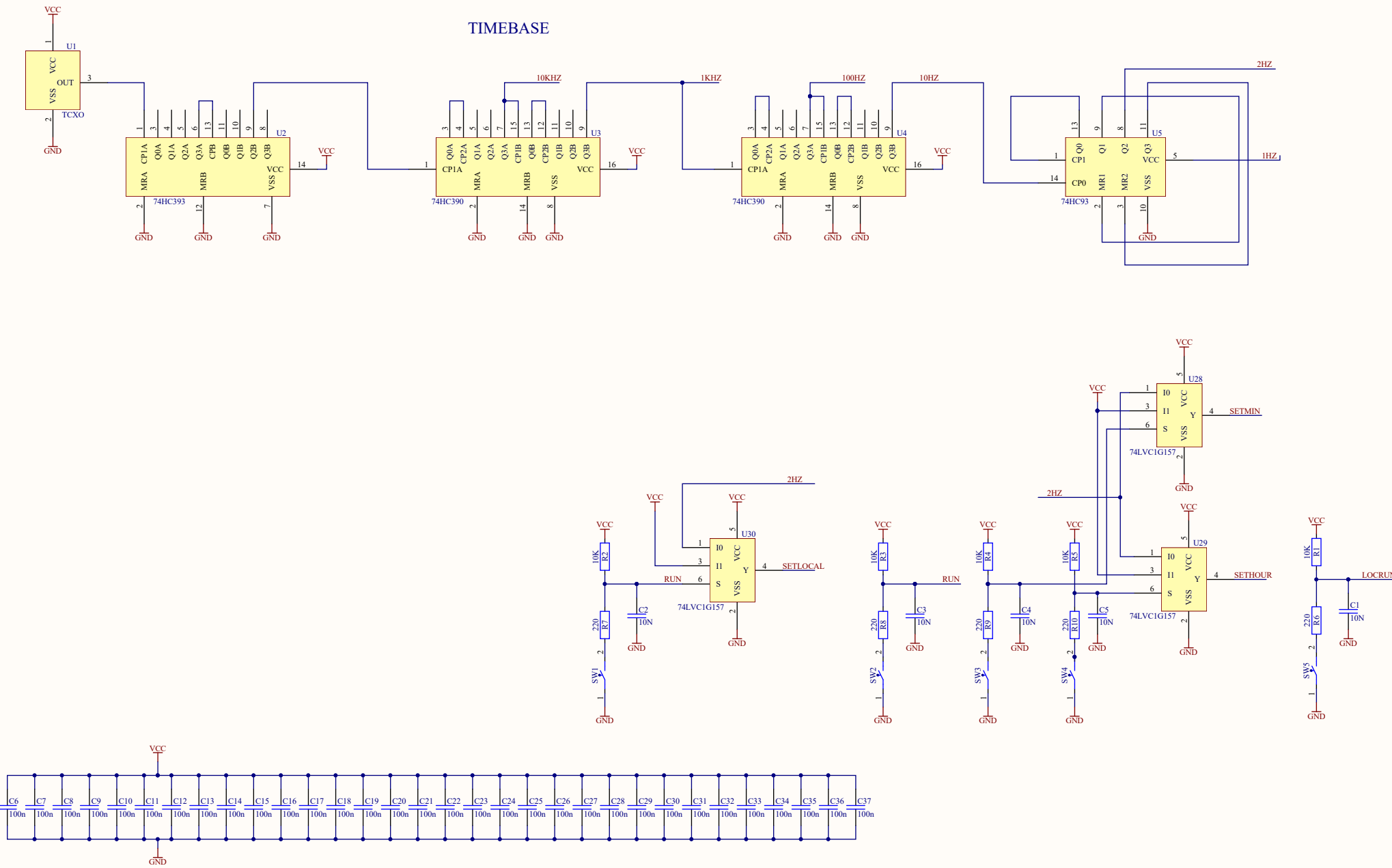
PART

UMT DISPLAY AND TIMER



Description: <h2 style="margin: 0;">Master time</h2>		Date:(mm/dd/yy) 13-3-2017	
		Revision: DRAFT	
Customer: intern		Schematic name: klok2 .SchDoc	
Project name: intern		Project nr.: 16001	Sheet nr.: 1 of 2
Drawn by: A Herweijer		PCB nr.:	Sheet size: A3 (420x297mm)

PART



Description: Master time		Date:(mm/yy) 13-3-2017	
Customer: intern		Revision: DRAFT	
Project name: intern		Schematic name: klok1.SchDoc	
Drawn by: A Herweijer		Project nr.: 16001	
PCB nr.:		Schem. nr.:	
Approval:		Sheet nr.:	
TEXT		1 of 2	
TEXT		A3 (450x297mm)	