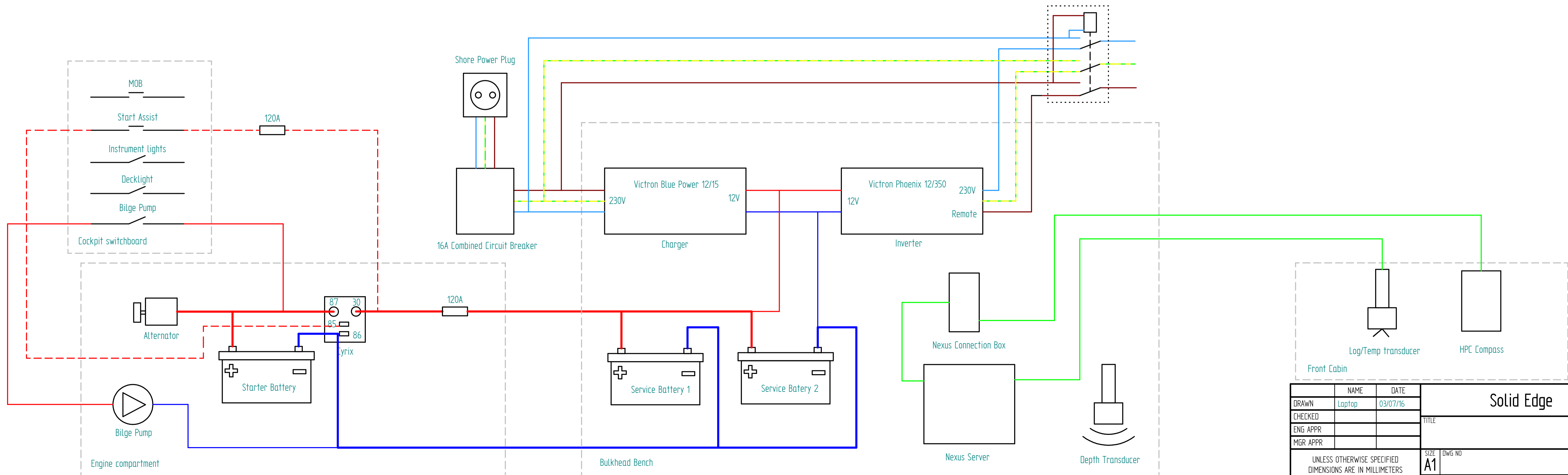


REVISION HISTORY			
REV	DESCRIPTION	DATE	APPROVED



	NAME	DATE	Solid Edge	
DRAWN	Laptop	03/07/16	TITLE	
CHECKED				
ENG APPR				
MGR APPR				
UNLESS OTHERWISE SPECIFIED DIMENSIONS ARE IN MILLIMETERS ANGLES *XX*			SIZE	DWG NO
2 PL *XXX 3 PL *XXXX			A1	
			FILE NAME	Schema_Coppelia.dft
			SCALE	WEIGHT
			SHEET 1 OF 1	