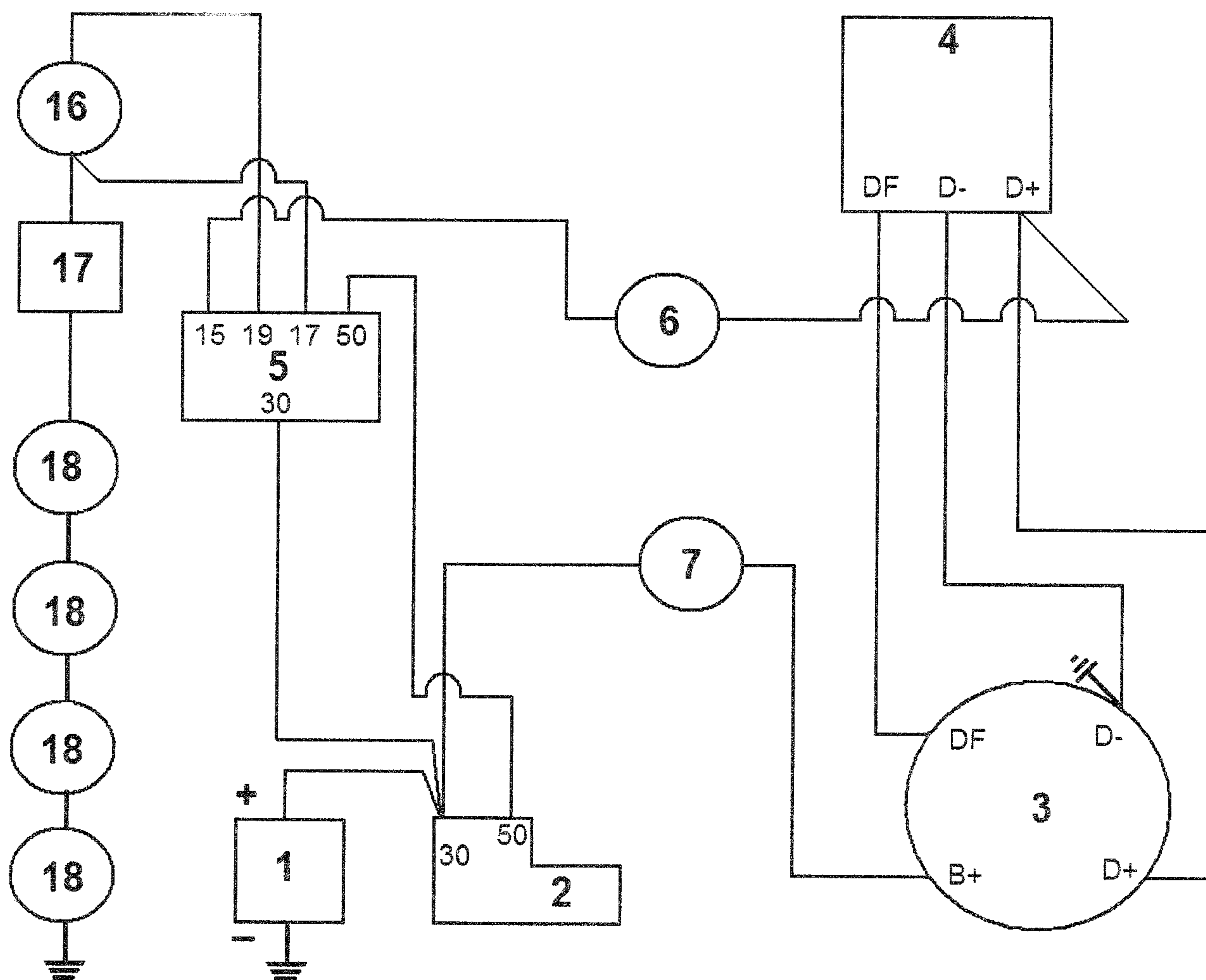


Start & Laadschema  
Mercedes OM636



- |                   |                             |
|-------------------|-----------------------------|
| 1. Batterij       | 6. Alarm -12V               |
| 2. Startmotor     | 7. Ampèremeter              |
| 3. Alternator     | 16. Gloei indikator         |
| 4. Regulator      | 17. Gloeikaars weerstand    |
| 5. Kontaktsleutel | 18. Gloeikaarsen (in serie) |